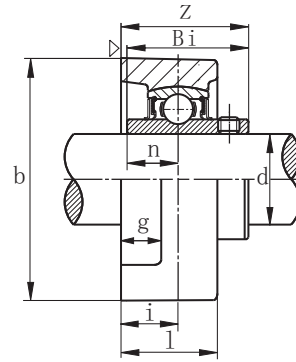
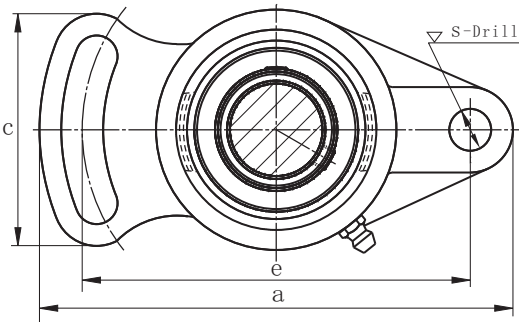




Adjustable Flange Units

UCFA 200 (normal-duty)

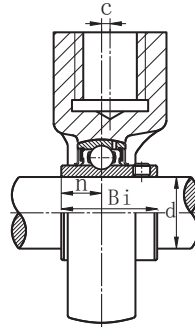
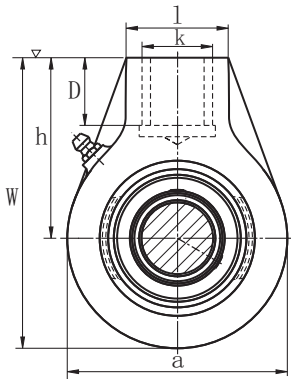


Bearing unit No.	Shaft Dia.		Dimensions (in.) or (mm)										Bolt used		Bearing No.	Housing No.	Weight (kg)	
	d (in.)	d (mm)	a	e	i	g	l	S	b	Z	C	Bi	n	(mm)				(in.)
UCFA 201 201-8	1/2	12	3 27/32 98	3 5/64 78	19/32 15	7/16 11	1 1/25 25.5	25/64 10	2 23/64 60	1 5/16 33.3	1 31/32 50	1.2205 31.0	0.5000 12.7	M8	5/16	UC 201 201-8	FA 201	0.47
UCFA 202 202-10	5/8	15	3 27/32 98	3 5/64 78	19/32 15	7/16 11	1 1/25 25.5	25/64 10	2 23/64 60	1 5/16 33.3	1 31/32 50	1.2205 31.0	0.5000 12.7	M8	5/16	UC 202 202-10	FA 202	0.47
UCFA 203 203-11	11/16	17	3 27/32 98	3 5/64 78	19/32 15	7/16 11	1 1/25 25.5	25/64 10	2 23/64 60	1 5/16 33.3	1 31/32 50	1.2205 31.0	0.5000 12.7	M8	5/16	UC 203 203-11	FA 203	0.47
UCFA 204-12 204	3/4	20	3 27/32 98	3 5/64 78	19/32 15	7/16 11	1 1/25 25.5	25/64 10	2 23/64 60	1 5/16 33.3	1 31/32 50	1.2205 31.0	0.5000 12.7	M8	5/16	UC 204-12 204	FA 204	0.47
UCFA 205-14 205-15 205 205-16	7/8 15/16 1	25	4 59/64 125	3 55/64 98	5/8 16.0	33/64 13	1 1/4 27	15/32 12	2 11/16 68	1 13/32 35.7	2 9/16 65	1.3386 34	0.5630 14.3	M10	3/8	UC 205-14 205-15 205 205-16	FA 205	0.68
UCFA 206-18 206 206-19 206-20	1 1/8 1 3/16 1 1/4	30	5 9/16 141	4 39/64 117	45/64 18	33/64 13	1 7/32 31	15/32 12	3 5/16 84	1 37/64 40.2	2 53/64 72	1.5000 38.1	0.6260 15.9	M10	3/8	UC 206-18 206 206-19 206-20	FA 206	1.0
UCFA 207-20 207-21 207-22 207 207-23	1 1/4 1 5/16 1 3/8 1 7/16	35	6 5/16 160	5 1/8 130	3/4 19	19/32 15	1 11/32 34	9/16 14	3 1/2 90	1 3/4 44.4	3 15/64 82	1.6890 42.9	0.6890 17.5	M12	7/16	UC 207-20 207-21 207-22 207 207-23	FA 207	1.5
UCFA 208-24 208-25 208	1 1/2 1 9/16	40	6 23/32 171	5 43/64 144	53/64 21	5/8 16	1 1/2 38	9/16 14	4 1/8 105	2 1/6 51.2	3 27/64 87	1.9370 49.2	0.7480 19.0	M12	7/16	UC 208-24 208-25 208	FA 208	1.9
UCFA 209-26 209-27 209-28 209	1 5/8 1 11/16 1 3/4	45	7 1/16 179	5 53/64 148	55/64 22	5/8 16	1 9/16 40	5/8 16	4 3/8 111	2 1/6 52.2	3 35/64 90	1.9370 49.2	0.7480 19.0	M14	1/2	UC 209-26 209-27 209-28 209	FA 209	1.7
UCFA 210-30 210-31 210 210-32	1 7/8 1 15/16 2	50	7 7/16 189	6 3/16 157	55/64 22	5/8 16	1 9/16 40	5/8 16	4 9/16 116	2 5/32 54.6	3 45/64 94	2.0315 51.6	0.7480 19.0	M14	1/2	UC 210-30 210-31 210 210-32	FA 210	2.0
UCFA 211-32 211-34 211 211-35	2 2 1/8 2 3/16	55	8 5/8 219	7 1/4 184	63/64 25	5/8 16	1 23/32 44	5/8 16	5 1/8 130	2 19/64 58.4	4 3/32 104	2.1890 55.6	0.8740 22.2	M14	1/2	UC 211-32 211-34 211 211-35	FA 211	3.6



Screw Conveyor
Hanger Units

UCHA 200 (normal- duty)



SR type seal



TRL type seal

Bearing unit No.	Shaft Dia.		Dimensions (in.) or (mm)									Bearing No.	Housing No.	Weight (kg)
	(in.)	(mm)	a	W	c	h	l	D	k (in.)	Bi	n			
UCHA 201 201-8	1/2	12	2 17/32 64	3 25/32 96	0	2 33/64 64	1 9/16 40	3/4 19	G 3/4	1.2205 31.0	0.5000 12.7	UC 201 201-8	HA 201	0.77
UCHA 202 202-10	5/8	15	2 17/32 64	3 25/32 96	0	2 33/64 64	1 9/16 40	3/4 19	G 3/4	1.2205 31.0	0.5000 12.7	UC 202 202-10	HA 202	0.77
UCHA 203 203-11	1 1/16	17	2 17/32 64	3 25/32 96	0	2 33/64 64	1 9/16 40	3/4 19	G 3/4	1.2205 31.0	0.5000 12.7	UC 203 203-11	HA 203	0.77
UCHA 204-12 204	3/4	20	2 17/32 64	3 25/32 96	0	2 33/64 64	1 9/16 40	3/4 19	G 3/4	1.2205 31.0	0.5000 12.7	UC 204-12 204	HA 204	0.77
UCHA 205-14 205-15 205 205-16	7/8 1 1/16	25	3 1/16 78	4 1/16 103	0	2 33/64 64	1 9/16 40	3/4 19	G 3/4	1.3386 34	0.5630 14.3	UC 205-14 205-15 205 205-16	HA 205	0.87
UCHA 206-18 206 206-19 206-20	1 1/8 1 3/16 1 1/4	30	3 1/16 78	4 1/16 103	0	2 33/64 64	1 9/16 40	3/4 19	G 3/4	1.5000 38.1	0.6260 15.9	UC 206-18 206 206-19 206-20	HA 206	0.83
UCHA 207-20 207-21 207-22 207 207-23	1 1/4 1 5/8 1 3/8 1 3/16	35	3 5/8 92	4 9/16 116	0	2 3/4 70	1 9/16 40	3/4 19	G 3/4	1.6890 42.9	0.6890 17.5	UC 207-20 207-21 207-22 207 207-23	HA 207	1.2
UCHA 208-24 208-25 208	1 1/2 1 9/16	40	3 25/32 96	4 3/4 121	5/64 2	2 7/8 73	1 9/16 40	3/4 19	G 3/4	1.9370 49.2	0.7480 19.0	UC 208-24 208-25 208	HA 208	1.3
UCHA 209-26 209-27 209-28 209	1 5/8 1 11/16 1 3/4	45	4 1/4 108	5 11/32 136	13/64 5	3 15/64 82	1 7/8 48	1 3/16 21	G1	1.9370 49.2	0.7480 19.0	UC 209-26 209-27 209-28 209	HA 209	1.7
UCHA 210-30 210-31 210 210-32	1 7/8 1 15/16 2	50	4 21/32 118	5 19/32 142	13/64 5	3 17/64 83	1 7/8 48	1 3/16 21	G1	2.0315 51.6	0.7480 19.0	UC 210-30 210-31 210 210-32	HA 210	2.1
UCHA 211-32 211-34 211 211-35	2 2 1/8 2 3/16	55	4 31/32 126	5 29/32 150	9/32 7	3 27/64 87	2 3/8 60	1 25	G1 1/4	2.1890 55.6	0.8740 22.2	UC 211-32 211-34 211 211-35	HA 211	2.8
UCHA 212-36 212 212-38 212-39	2 1/4 2 3/8 2 7/16	60	5 19/32 142	6 13/16 173	23/64 9	4 1/64 102	2 3/8 60	1 3/32 28	G1 1/4	2.5630 65.1	1.0000 25.4	UC 212-36 212 212-38 212-39	HA 212	3.9
UCHA 213-40 213	2 1/2	65	6 17/32 166	7 7/8 200	3/8 9.5	4 39/64 117	2 3/4 70	1 1/4 32	G1 1/2	2.5630 65.1	1.0000 25.4	UC 213-40 213	HA 213	5.8
UCHA 214-44 214	2 3/4	70	6 17/32 166	7 7/8 200	3/8 9.5	4 39/64 117	2 3/4 70	1 1/4 32	G1 1/2	2.9370 74.6	1.1890 30.2	UC 214-44 214	HA 214	5.9
UCHA 215 215-47 215-48	2 15/16 3	75	6 17/32 166	7 7/8 200	3/8 9.5	4 39/64 117	2 3/4 70	1 1/4 32	G1 1/2	3.0630 77.8	1.3110 33.3	UC 215 215-47 215-48	HA 215	5.6