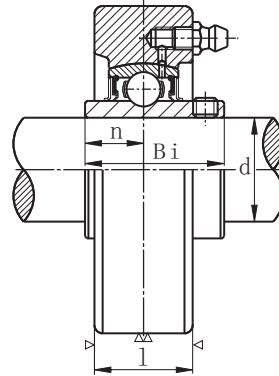
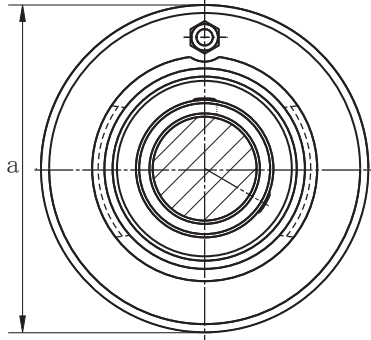




Cartridge Units

UCC 200 (normal- duty)



SR type seal



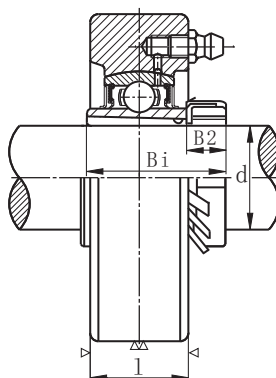
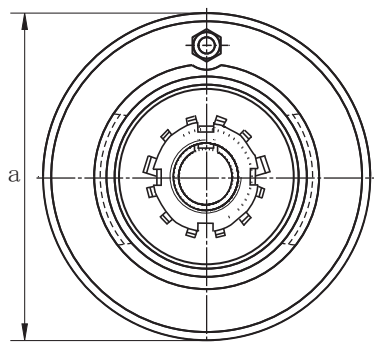
TRL type seal

Bearing unit No.	Shaft Dia.		Dimensions (in.) or (mm)				Housing No.	Bearing No.	Weight (kg)
	d		a	l	Bi	n			
	(in.)	(mm)							
UCC 201 201-8	1/2	12	2.8346 72	25/32 20	1.2205 31.0	0.5000 12.7	UC 201 201-8	C 201	0.50
UCC 202 202-10	5/8	15	2.8346 72	25/32 20	1.2205 31.0	0.5000 12.7	UC 202 202-10	C 202	0.50
UCC 203 203-11	11/16	17	2.8346 72	25/32 20	1.2205 31.0	0.5000 12.7	UC 203 203-11	C 203	0.50
UCC 204-12 204	3/4	20	2.8346 72	25/32 20	1.2205 31.0	0.5000 12.7	UC 204-12 204	C 204	0.50
UCC 205-14 205-15 205 205-16	7/8 15/16 1	25	3.1496 80	55/64 22	1.3386 34	0.5630 14.3	UC 205-14 205-15 205 205-16	C 205	0.64
UCC 206-18 206 206-19 206-20	1 1/8 1 3/16 1 1/4	30	3.3465 85	1 1/16 27	1.5000 38.1	0.6260 15.9	UC 206-18 206 206-19 206-20	C 206	0.81
UCC 207-20 207-21 207-22 207 207-23	1 1/4 1 3/16 1 3/8 1 7/16	35	3.5433 90	1 7/64 28	1.6890 42.9	0.6890 17.5	UC 207-20 207-21 207-22 207 207-23	C 207	0.93
UCC 208-24 208-25 208	1 1/2 1 9/16	40	3.9370 100	1 3/16 30	1.9370 49.2	0.7480 19.0	UC 208-24 208-25 208	C 208	1.2
UCC 209-26 209-27 209-28 209	1 5/8 1 11/16 1 3/4	45	4.3307 110	1 7/32 31	1.9370 49.2	0.7480 19.0	UC 209-26 209-27 209-28 209	C 209	1.5
UCC 210-30 210-31 210 210-32	1 7/8 1 15/16 2	50	4.7244 120	1 19/64 33	2.0315 51.6	0.7480 19.0	UC 210-30 210-31 210 210-32	C 210	2.0
UCC 211-32 211-34 211 211-35	2 2 1/8 2 3/16	55	4.9213 125	1 3/8 35	2.1890 55.6	0.8740 22.2	UC 211-32 211-34 211 211-35	C 211	2.2
UCC 212-36 212 212-38 212-39	2 1/4 2 3/8 2 7/16	60	5.1181 130	1 1/2 38	2.5630 65.1	1.0000 25.4	UC 212-36 212 212-38 212-39	C 212	2.6
UCC 213-40 213	2 1/2	65	5.5118 140	1 37/64 40	2.5630 65.1	1.0000 25.4	UC 213-40 213	C 213	3.0



Cartridge Units

UKC 200 (normal- duty)



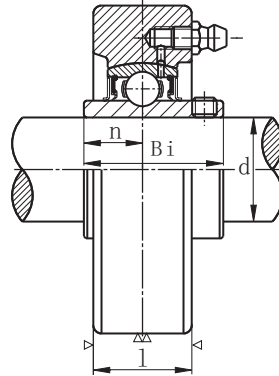
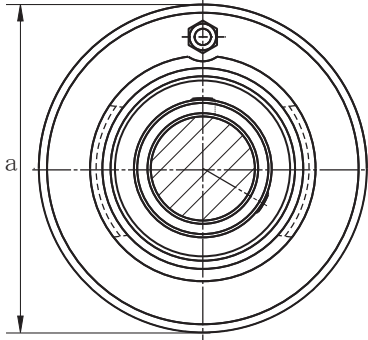
SR type seal

Bearing unit No.	Shaft Dia.		Dimensions (in.) or (mm)				Housing No.	Adapter No.	Bearing No.	Weight (kg)
	d (in.)	d (mm)	a	l	Bi	B2				
UKC 205+HE2305 205+H2305	$\frac{3}{4}$	20	3.1496 80	$\frac{55}{64}$ 22	1.3779 35	0.3150 8	UK 205	HE2305 H2305	C 205	0.7
UKC 206+HS2306 206+HA2306 206+H2306 206+HE2306	$\frac{7}{8}$ $\frac{15}{16}$	25	3.3465 85	$1\frac{1}{16}$ 27	1.4961 38	0.3150 8	UK 206	HS2306 HA2306 H2306 HE2306	C 206	0.9
UKC 207+HS2307 207+H2307 207+HA2307	$1\frac{1}{8}$ $1\frac{3}{16}$	30	3.5433 90	$1\frac{7}{64}$ 28	1.6939 43	0.3543 9	UK 207	HS2307 H2307 HA2307	C 207	0.99
UKC 208+HE2308 208+HS2308 208+H2308	$1\frac{1}{4}$ $1\frac{3}{8}$	35	3.9370 100	$1\frac{3}{16}$ 30	1.8110 46	0.3937 10	UK 208	HE2308 HS2308 H2308	C 208	1.3
UKC 209+HA2309 209+HE2309 209+H2309	$1\frac{7}{16}$ $1\frac{1}{2}$	40	4.3307 110	$1\frac{7}{32}$ 31	1.9685 50	0.4330 11	UK 209	HA2309 HE2309 H2309	C 209	1.7
UKC 210+HS2310 210+HA2310 210+HE2310 210+H2310	$1\frac{5}{8}$ $1\frac{11}{16}$ $1\frac{3}{4}$	45	4.7244 120	$1\frac{19}{64}$ 33	2.1654 55	0.4724 12	UK 210	HS2310 HA2310 HE2310 H2310	C 210	2.1
UKC 211+HS2311 211+HA2311 211+H2311 211+HE2311	$1\frac{7}{8}$ $1\frac{15}{16}$	50	4.9213 125	$1\frac{3}{8}$ 35	2.3228 59	0.4724 12	UK 211	HS2311 HA2311 H2311 HE2311	C 211	2.3
UKC 212+HS2312 212+H2312	$2\frac{1}{8}$	55	5.1181 130	$1\frac{1}{2}$ 38	2.4409 62	0.5118 13	UK 212	HS2312 H2312	C 212	2.6
UKC 213+HA2313 213+HE2313 213+H2313 213+HS2313	$2\frac{3}{16}$ $2\frac{1}{4}$ $2\frac{3}{8}$	60	5.5118 140	$1\frac{37}{64}$ 40	2.5591 65	0.5512 14	UK 213	HA2313 HE2313 H2313 HS2313	C 213	3.1



Cartridge Units

UCC X00 (medium-duty)



SR type seal



TRL type seal

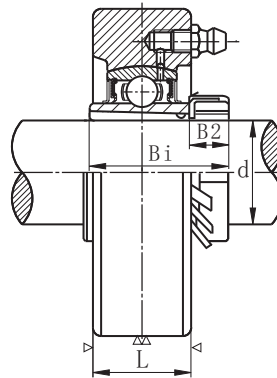
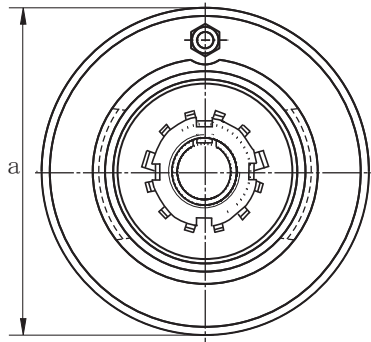
Bearing unit No.	Shaft Dia.		Dimensions (in.) or (mm)				Bearing No.	Housing No.	Weight (kg)						
	d		a	l	Bi	n									
	(in.)	(mm)													
UCC X05-14 X05-15 X05	$\frac{7}{8}$ $\frac{15}{16}$	25	3.5433 90	$1\frac{1}{16}$ 27	1.5000 38.1	0.6260 15.9	UC X05-14 X05-15 X05	C X05	1.0						
X05-16	1														
UCC X06-18 X06	$1\frac{1}{8}$		30	3.9370 100	$1\frac{3}{16}$ 30	1.6890 42.9	0.6890 17.5			UC X06-18 X06	C X06	1.3			
X06-19 X06-20	$1\frac{3}{16}$ $1\frac{1}{4}$														
UCC X07-20 X07-21 X07-22 X07	$1\frac{1}{4}$ $1\frac{3}{16}$ $1\frac{3}{8}$	35		4.3307 110	$1\frac{11}{32}$ 34	1.9370 49.2	0.7480 19.0	UC X07-20 X07-21 X07-22 X07	C X07	1.9					
X07-23	$1\frac{7}{16}$														
UCC X08-24 X08-25 X08	$1\frac{1}{2}$ $1\frac{9}{16}$		40	4.7244 120	$1\frac{1}{2}$ 38	1.9370 49.2	0.7480 19.0	UC X08-24 X08-25 X08			C X08	2.3			
UCC X09-26 X09-27 X09-28 X09	$1\frac{5}{8}$ $1\frac{11}{16}$ $1\frac{3}{4}$			45	4.7244 120	$1\frac{1}{2}$ 38	2.0315 51.6	0.7480 19.0					UC X09-26 X09-27 X09-28 X09	C X09	2.3
UCC X10-30 X10-31 X10 X10-32	$1\frac{7}{8}$ $1\frac{15}{16}$ 2	50			5.1181 130	$1\frac{37}{64}$ 40	2.1890 55.6	0.8740 22.2	UC X10-30 X10-31 X10 X10-32	C X10			2.8		
UCC X11-32 X11-34 X11 X11-35	2 $2\frac{1}{8}$ $2\frac{3}{16}$				55	5.9055 150	$2\frac{1}{32}$ 42	2.5630 65.1	1.0000 25.4						
UCC X12-36 X12 X12-38 X12-39	$2\frac{1}{4}$ $2\frac{3}{8}$ $2\frac{1}{16}$		60			6.2992 160	$1\frac{47}{64}$ 44	2.5630 65.1	1.0000 25.4		UC X12-36 X12 X12-38 X12-39	C X12			



®

Cartridge Units

UKC X00 (medium- duty)



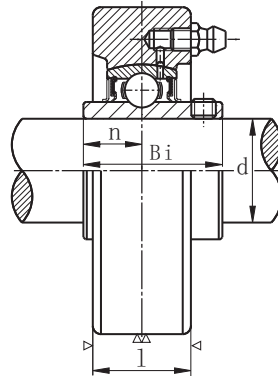
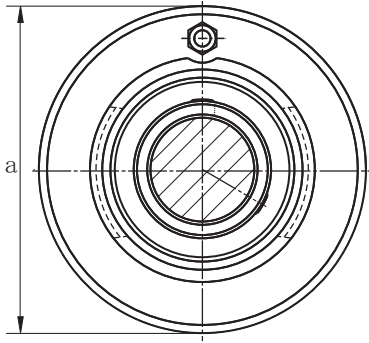
SR type seal

Bearing unit No.	Shaft Dia.		Dimensions (in.) or (mm)				Bearing No.	Adapter No.	Housing No.	Weight (kg)
	d (in.)	d (mm)	a	l	Bi	B2				
UKC X05+HE2305 X05+H2305	$\frac{3}{4}$	20	3.5433 90	$1\frac{1}{16}$ 27	1.37796 35	0.3150 8	UK X05	HE2305 H2305	C X05	1.0
UKC X06+HS2306 X06+HA2306 X06+H2306 X06+HE2306	$\frac{7}{8}$ $1\frac{5}{16}$ 1	25	3.9370 100	$1\frac{3}{16}$ 30	1.4961 38	0.3150 8	UK X06	HS2306 HA2306 H2306 HE2306	C X06	1.4
UKC X07+HS2307 X07+H2307 X07+HA2307	$1\frac{1}{8}$ $1\frac{3}{16}$	30	4.3307 110	$1\frac{11}{32}$ 34	1.6939 43	0.3543 9	UK X07	HS2307 H2307 HA2307	C X07	1.8
UKC X08+HE2308 X08+HS2308 X08+H2308	$1\frac{1}{4}$ $1\frac{3}{8}$	35	4.7244 120	$1\frac{1}{2}$ 38	1.8110 46	0.3937 10	UK X08	HE2308 HS2308 H2308	C X08	2.3
UKC X09+HA2309 X09+HE2309 X09+H2309	$1\frac{7}{16}$ $1\frac{1}{2}$	40	4.7244 120	$1\frac{1}{2}$ 38	1.9685 50	0.4330 11	UK X09	HA2309 HE2309 H2309	C X09	2.3
UKC X10+HS2310 X10+HA2310 X10+HE2310 X10+H2310	$1\frac{5}{8}$ $1\frac{11}{16}$ $1\frac{3}{4}$	45	5.1181 130	$1\frac{37}{64}$ 40	2.1654 55	0.4724 12	UK X10	HS2310 HA2310 HE2310 H2310	C X10	2.8
UKC X11+HS2311 X11+HA2311 X11+H2311 X11+HE2311	$1\frac{7}{8}$ $1\frac{15}{16}$ 2	50	5.9055 150	$1\frac{21}{32}$ 42	2.3228 59	0.4724 12	UK X11	HS2311 HA2311 H2311 HE2311	C X11	4.6
UKC X12+HS2312 X12+H2312	$2\frac{1}{8}$	55	6.2992 160	$1\frac{47}{64}$ 44	2.4409 62	0.5118 13	UK X12	HS2312 H2312	C X12	5.1



Cartridge Units

UCC 300 (heavy-duty)



SR type seal



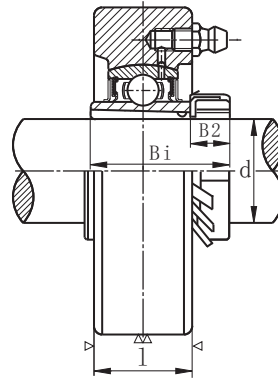
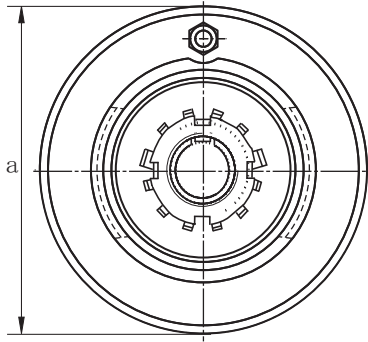
TRL type seal

Bearing unit No.	Shaft Dia.		Dimensions (in.) or (mm)				Bearing No.	Housing No.	Weight (kg)
	(in.)	(mm)	a	l	Bi	n			
UCC 305-14 305-15 305 305-16	$1\frac{1}{8}$ $1\frac{5}{16}$ 1	25	3.5433 90	$1\frac{1}{2}$ 26	1.4961 38	0.5906 15	UC 305-14 305-15 305 305-16	C 305	1.1
UCC 306-18 306 306-19 306-20	$1\frac{1}{8}$ $1\frac{3}{16}$ $1\frac{1}{4}$	30	3.9370 100	$1\frac{1}{2}$ 28	1.6929 43	0.6693 17	UC 306-18 306 306-19 306-20	C 306	1.3
UCC 307-20 307-21 307-22 307 307-23	$1\frac{1}{2}$ $1\frac{5}{16}$ $1\frac{3}{8}$ $1\frac{7}{16}$	35	4.3307 110	$1\frac{1}{2}$ 32	1.8897 48	0.7480 19	UC 307-20 307-21 307-22 307 307-23	C 307	1.8
UCC 308-24 308-25 308	$1\frac{1}{2}$ $1\frac{9}{16}$	40	4.7244 120	$1\frac{1}{2}$ 34	2.0472 52	0.7480 19	UC 308-24 308-25 308	C 308	2.2
UCC 309-26 309-27 309-28 309	$1\frac{5}{8}$ $1\frac{11}{16}$ $1\frac{3}{4}$	45	5.1181 130	$1\frac{1}{2}$ 38	2.2441 57	0.8661 22	UC 309-26 309-27 309-28 309	C 309	2.7
UCC 310-30 310-31 310 310-32	$1\frac{7}{8}$ $1\frac{15}{16}$ 2	50	5.5118 140	$1\frac{3}{4}$ 40	2.4015 61	0.8661 22	UC 310-30 310-31 310 310-32	C 310	3.3
UCC 311-32 311-34 311 311-35	$2\frac{1}{8}$ $2\frac{1}{8}$ $2\frac{3}{16}$	55	5.9055 150	$1\frac{1}{2}$ 44	2.5984 66	0.9842 25	UC 311-32 311-34 311 311-35	C 311	3.9
UCC 312-36 312 312-38 312-39	$2\frac{1}{4}$ $2\frac{3}{8}$ $2\frac{1}{2}$	60	6.2992 160	$1\frac{13}{16}$ 46	2.7953 71	1.0236 26	UC 312-36 312 312-38 312-39	C 312	4.8
UCC 313-40 313	$2\frac{1}{2}$	65	6.6929 170	$1\frac{31}{32}$ 50	2.9528 75	1.1881 30	UC 313-40 313	C 313	5.7
UCC 314-44 314	$2\frac{3}{4}$	70	7.0866 180	$2\frac{3}{16}$ 52	3.0709 78	1.2992 33	UC 314-44 314	C 314	6.6
UCC 315 315-48	3	75	7.4803 190	$2\frac{1}{16}$ 55	3.2283 82	1.2598 32	UC 315 315-48	C 315	7.7
UCC 316 316-50	$3\frac{1}{8}$	80	7.8740 200	$2\frac{23}{64}$ 60	3.3858 86	1.3386 34	UC 316 316-50	C 316	8.9
UCC 317	85	85	8.4646 215	$2\frac{33}{64}$ 64	3.7795 96	1.5748 40	UC 317	C 317	11.2
UCC 318-56 318	$3\frac{1}{2}$	90	8.8583 225	$2\frac{19}{32}$ 66	3.7795 96	1.5748 40	UC 318-56 318	C 318	12.3
UCC 319	95	95	9.4488 240	$2\frac{5}{16}$ 72	4.0551 103	1.6142 41	UC 319	C 319	15.2
UCC 320 320-64	4	100	10.2362 260	$2\frac{61}{64}$ 75	4.2519 108	1.6535 42	UC 320 320-64	C 320	19.2
UCC 322	110	110	11.8110 300	$3\frac{7}{32}$ 80	4.6063 117	1.8110 46	UC 322	C 322	28.1
UCC 324	120	120	12.5984 320	$3\frac{35}{64}$ 90	4.9606 126	2.0079 51	UC 324	C 324	35.0
UCC 326	130	130	13.3858 340	$3\frac{15}{16}$ 100	5.3150 135	2.1260 54	UC 326	C 326	42.2
UCC 328	140	140	14.1732 360	$3\frac{15}{16}$ 100	5.7086 145	2.3228 59	UC 328	C 328	48.9



Cartridge Units

UKC 300 (heavy-duty)



SR type seal

Bearing unit No.	Shaft Dia.		Dimensions (in.) or (mm)				Bearing No.	Adapter No.	Housing No.	Weight (kg)
	(in.)	(mm)	a	l	Bi	B2				
UKC 305+HE2305 305+H2305	$\frac{3}{4}$	20	3.5433 90	$1\frac{1}{32}$ 26	1.37796 35	0.3150 8	UK 305	HE2305 H2305	C 305	1.1
UKC 306+HS2306 306+HA2306 306+H2306 306+HE2306	$\frac{7}{8}$ $1\frac{1}{16}$ 1	25	3.9370 100	$1\frac{1}{64}$ 28	1.4961 38	0.3150 8	UK 306	HS2306 HA2306 H2306 HE2306	C 306	1.4
UKC 307+HS2307 307+H2307 307+HA2307	$1\frac{1}{8}$ $1\frac{3}{16}$	30	4.3307 110	$1\frac{1}{64}$ 32	1.6939 43	0.3543 9	UK 307	HS2307 H2307 HA2307	C 307	1.8
UKC 308+HE2308 308+HS2308 308+H2308	$1\frac{1}{4}$ $1\frac{3}{8}$	35	4.7244 120	$1\frac{1}{32}$ 34	1.8110 46	0.3937 10	UK 308	HE2308 HS2308 H2308	C 308	2.2
UKC 309+HA2309 309+HE2309 309+H2309	$1\frac{7}{16}$ $1\frac{1}{2}$	40	5.1181 130	$1\frac{1}{2}$ 38	1.9685 50	0.4330 11	UK 309	HA2309 HE2309 H2309	C 309	2.7
UKC 310+HS2310 310+HA2310 310+HE2310 310+H2310	$1\frac{5}{8}$ $1\frac{11}{16}$ $1\frac{3}{4}$	45	5.5118 140	$1\frac{37}{64}$ 40	2.1654 55	0.4724 12	UK 310	HS2310 HA2310 HE2310 H2310	C 310	3.3
UKC 311+HS2311 311+HA2311 311+H2311 311+HE2311	$1\frac{7}{8}$ $1\frac{15}{16}$ 2	50	5.9055 150	$1\frac{47}{64}$ 44	2.3228 59	0.4724 12	UK 311	HS2311 HA2311 H2311 HE2311	C 311	3.9
UKC 312+HS2312 312+H2312	$2\frac{1}{8}$	55	6.2992 160	$1\frac{13}{16}$ 46	2.4409 62	0.5118 13	UK 312	HS2312 H2312	C 312	4.7
UKC 313+HA2313 313+HE2313 313+H2313 313+HS2313	$2\frac{3}{16}$ $2\frac{1}{4}$ $2\frac{3}{8}$	60	6.6929 170	$1\frac{31}{32}$ 50	2.5591 65	0.5512 14	UK 313	HA2313 HE2313 H2313 HS2313	C 313	5.6
UKC 315+HA2315 315+HE2315 315+H2315	$2\frac{7}{16}$ $2\frac{1}{2}$	65	7.4803 190	$2\frac{11}{64}$ 55	2.8740 73	0.5906 15	UK 315	HA2315 HE2315 H2315	C 315	7.8
UKC 316+HA2316 316+HE2316 316+H2316	$2\frac{11}{16}$ $2\frac{3}{4}$	70	7.8740 200	$2\frac{23}{64}$ 60	3.0709 78	0.6693 17	UK 316	HA2316 HE2316 H2316	C 316	9.1
UKC 317+HA2317 317+H2317 317+HE2317	$2\frac{15}{16}$ 3	75	8.4646 215	$2\frac{33}{64}$ 64	3.2283 82	0.7087 18	UK 317	HA2317 H2317 HE2317	C 317	11.2
UKC 318+H2318		80	8.8583 225	$2\frac{19}{32}$ 66	3.3858 86	0.7087 18	UK 318	H2318	C 318	12.5
UKC 319+HE2319 319+H2319	$3\frac{1}{4}$	85	9.4488 240	$2\frac{53}{64}$ 72	3.5433 90	0.7480 19	UK 319	HE2319 H2319	C 319	15.2
UKC 320+HE2320 320+H2320	$3\frac{3}{2}$	90	10.2363 260	$2\frac{61}{64}$ 75	3.8189 97	0.7874 20	UK 320	HE2320 H2320	C 320	19.2
UKC 322+H2322		100	11.8110 300	$3\frac{5}{32}$ 80	4.1339 105	0.8268 21	UK 322	H2322	C 322	28.2
UKC 324+H2324		110	12.5984 320	$3\frac{35}{64}$ 90	4.4094 112	0.8661 22	UK 324	H2324	C 324	34.5
UKC 326+H2326		115	13.3858 340	$3\frac{1}{16}$ 100	4.7638 121	0.9055 23	UK 326	H2326	C 326	42.5
UKC 328+H2328		125	14.1732 360	$3\frac{15}{16}$ 100	5.1575 131	0.9843 25	UK 328	H2328	C 328	49.2