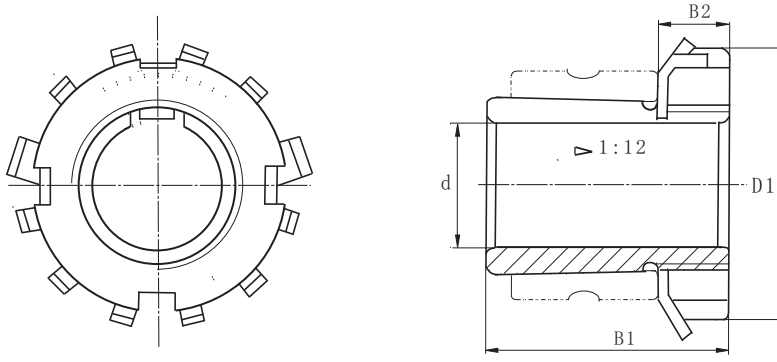



Adapter Sleeve
H 2300


Adapter No.	Bore Dia. Of Sleeve.		Dimensions (mm)			Sleeve No.	Locknut No.	Washer No.	Bearing No.
	(in)	(mm)	B1	D1	B2				
HE2305 H2305	$\frac{3}{4}$	20	35	38	8	AE2305 A2305	KM05	MB05	UK205 UKX05 UK305
HS2306 HA2306 H2306 HE2306	$\frac{7}{16}$ $\frac{3}{8}$ 1	25	38	45	8	AS2306 AA2306 A2306 AE2306	KM06	MB06	UK206 UKX06 UK306
HS2307 H2307 HA2307	$\frac{1}{8}$ $\frac{3}{16}$ $\frac{1}{4}$	30	43	52	9	AS2307 A2307 AA2307	KM07	MB07	UK207 UKX07 UK307
HE2308 HS2308 H2308	$\frac{1}{4}$ $\frac{3}{8}$	35	46	58	10	AE2308 AS2308 A2308	KM08	MB08	UK208 UKX08 UK308
HA2309 HE2309 H2309	$\frac{1}{16}$ $\frac{1}{2}$	40	50	65	11	AA2309 AE2309 A2309	KM09	MB09	UK209 UKX09 UK309
HS2310 HA2310 HE2310 H2310	$\frac{5}{8}$ $\frac{11}{16}$ $\frac{3}{4}$	45	55	70	12	AS2310 AA2310 AE2310 A2310	KM10	MB10	UK210 UKX10 UK310
HS2311 HA2311 H2311 HE2311	$\frac{1}{8}$ $\frac{15}{16}$ $\frac{1}{4}$ 2	50	59	75	12	AS2311 AA2311 AE2311 A2311	KM11	MB11	UK211 UKX11 UK311
HS2312 H2312	$\frac{2}{8}$	55	62	80	13	AS2312 A2312	KM12	MB12	UK212 UKX12 UK312
HA2313 HE2313 H2313 HS2313	$\frac{3}{16}$ $\frac{2}{4}$ $\frac{3}{8}$	60	65	85	14	AA2313 AE2313 A2313 AS2313	KM13	MB13	UK213 UKX13 UK313
HA2315 HE2315 H2315	$\frac{7}{16}$ $\frac{2}{2}$	65	73	98	15	AA2315 AE2315 A2315	KM15	MB15	UK215 UKX15 UK315
HA2316 HE2316 H2316	$\frac{11}{16}$ $\frac{2}{3}$ $\frac{3}{4}$	70	78	105	17	AA2316 AE2316 A2316	KM16	MB16	UK216 UKX16 UK316
HA2317 H2317 HE2317	$\frac{15}{16}$ 3	75	82	110	18	AA2317 A2317 AE2317	KM17	MB17	UK217 UKX17 UK317
H2318		80	86	120	18	A2318	KM18	MB18	UK218 UKX18 UK318
HE2319 H2319	$\frac{3}{4}$	85	90	125	19	AE2319 A2319	KM19	MB19	UKX19 UK319
HE2320 H2320	$\frac{3}{2}$	90	97	130	20	AE2320 A2320	KM20	MB20	UKX20 UK320
H2322		100	105	145	21	A2322	KM22	MB22	UK322
H2324		110	112	155	22	A2324	KM24	MB24	UK324
H2326		115	121	165	23	A2326	KM26	MB26	UK326
H2328		125	131	180	24	A2328	KM28	MB28	UK328

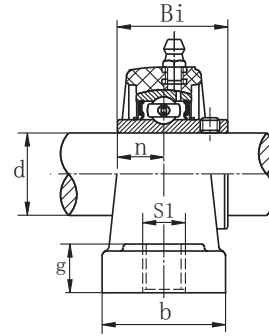
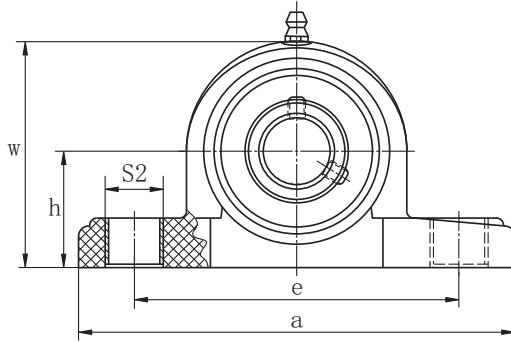


®

Thermoplastic Bearing Housing

UCPPL 200

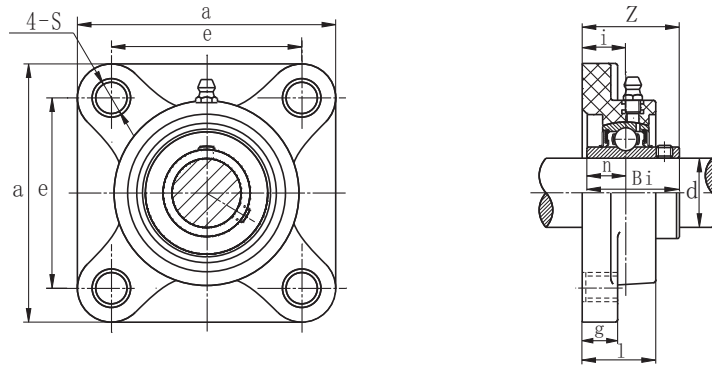
- Material:PBT
- Solid base
- Stainless steel grease nipples as standard (suffix N)



Bearing unit No.	Shaft Dia.		Dimensions (in.) or (mm)									Bolt used		Torque (N. m)	Bearing No.	Housing No.	Housing Weight (kg)	
	d		h	a	e	b	g	S1	S2	W	Bi	n	(mm)					(in.)
	(in.)	(mm)																
UCPPL 201 201-8	1/2	12																
UCPPL 202-9 202	9/16	15	1 5/16	5	3 47/64	1 1/2	9/16	7/16	35/64	2 37/64	1.2205	0.5000	M10	3/8	18	SUC 201 201-8 SUC 202-9 202	PPL 203	0.12
UCPPL 202-10 203	5/8	17	33.3	127	95	38	14.2	11	14	65.5	31.0	12.7				SUC 202-10 203		
UCPPL 203-11	1 1/16															SUC 203 203-11		
UCPPL 204-12 204	3/4	20	1 5/16	5	3 47/64	1 1/2	9/16	7/16	35/64	2 37/64	1.2205	0.5000	M10	3/8	18	SUC 204-12 204	PPL 204	0.12
UCPPL 205-14 205-15 205	7/8	25	1 7/16	5 17/32	4 9/64	1 1/2	37/64	7/16	35/64	2 51/64	1.3386	0.5630	M10	3/8	25	SUC 205-14 205-15 205	PPL 205	0.14
UCPPL 205-16	1		36.5	140.5	105	38	14.5	11	14	71	34.0	14.3				SUC 205-16		
UCPPL 206-17 206-18 206	1 1/16	30	1 11/16	6 27/64	4 11/16	1 13/16	45/64	35/64	45/64	3 5/16	1.5000	0.6260	M12	7/16	30	SUC 206-17 206-18 206	PPL 206	0.20
UCPPL 206-19 206-20	1 3/16		42.9	163	119	46	17.8	14	18	84	38.1	15.9				SUC 206-19 206-20		
UCPPL 206-20	1 1/4																	
UCPPL 207-20 207-21 207-22 207	1 1/4	35	1 7/8	6 39/64	5	1 57/64	45/64	35/64	45/64	3 23/32	1.6890	0.6890	M12	7/16	35	SUC 207-20 207-21 207-22 207	PPL 207	0.25
UCPPL 207-23	1 7/16		47.6	168	127	48	18	14	18	94.5	42.9	17.5				SUC 207-23		
UCPPL 208-24 208-25 208	1 1/2	40	1 15/16	7 1/4	5 25/64	2 1/8	49/64	35/64	45/64	3 29/32	1.9370	0.7480	M12	7/16	45	SUC 208-24 208-25 208	PPL 208	0.35
UCPPL 209-26 209-27 209-28 209	1 5/8	45	2 1/8	7 9/16	5 3/4	2 1/8	29/32	43/64	25/32	4 11/64	1.9370	0.7480	M16	5/8	50	SUC 209-26 209-27 209-28 209	PPL 209	0.45
UCPPL 210-30 210-31 210	1 7/8	50	2 1/4	8 1/8	6 1/4	2 3/8	29/32	43/64	25/32	4 31/64	2.0315	0.7480	M16	5/8	55	SUC 210-30 210-31 210	PPL 210	0.55



- Material: PBT
- Solid base
- Stainless steel grease nipples as standard (suffix N)

Thermoplastic Bearing Housing
UCFPL 200


Bearing unit No.	Shaft Dia.		Dimensions (in.) or (mm)									Bolt used		Torque (N. m)	Bearing No.	Housing No.	Housing Weight (kg)	
	d (in.)	d (mm)	a	e	g	l	S	Z	i	Bi	n	(mm)	(in.)					
UCFPL 201 201-8	1/2	12																
UCFPL 202-9 202	9/16	15	3 25/64	2 1/2	17/32	1 3/32	7/16	1 27/64	45/64	1.2205	0.5000	M10	3/8	18	SUC 201-8 SUC 202-9	FPL 203	0.12	
UCFPL 203 203-11	5/8	17	86	63.5	13.4	27.8	11	36.3	18	31.0	12.7				SUC 202-10 SUC 203-11			
UCFPL 204-12 204	3/4	20	3 25/64	2 1/2	17/32	1 3/32	7/16	1 27/64	45/64	1.2205	0.5000	M10	3/8	18	SUC 204-12 SUC 204	FPL 204	0.12	
UCFPL 205-14 205-15 205	7/8	25	3 47/64	2 3/4	35/64	1 7/64	7/16	1 7/16	43/64	1.3386	0.5630	M10	3/8	25	SUC 205-14 SUC 205-15 SUC 205	FPL 205	0.15	
UCFPL 205-16	1		95	70	14	28	11	36.7	17	34.0	14.3				SUC 205-16			
UCFPL 206-17 206-18 206	1 1/16	30	4 7/32	3 17/64	9/16	1 15/64	7/16	1 5/8	3/4	1.5000	0.6260	M10	3/8	30	SUC 206-17 SUC 206-18 SUC 206	FPL 206	0.18	
UCFPL 206-19 206-20	1 3/16		107	83	14.3	31.5	11	41.4	19.2	38.1	15.9				SUC 206-19 SUC 206-20			
UCFPL 207-20 207-21 207-22 207	1 1/4	35	4 41/64	3 5/8	39/64	1 3/8	33/64	1 27/32	27/32	1.6890	0.6890	M12	7/16	35	SUC 207-20 SUC 207-21 SUC 207-22 SUC 207	FPL 207	0.26	
UCFPL 207-23	1 7/16		118	92	15.5	34.8	13	46.9	21.5	42.9	17.5				SUC 207-23			
UCFPL 208-24 208-25 208	1 1/2	40	5 1/8	4 1/64	43/64	1 15/32	35/64	2 3/32	29/32	1.9370	0.7480	M12	7/16	40	SUC 208-24 SUC 208-25 SUC 208	FPL 208	0.33	
UCFPL 209-26 209-27 209-28 209	1 5/8	45	5 25/64	4 9/64	3/4	1 39/64	43/64	2 9/64	15/16	1.9370	0.7480	M16	5/8	45	SUC 209-26 SUC 209-27 SUC 209-28 SUC 209	FPL 209	0.42	
UCFPL 210-30 210-31 210	1 7/8	50	5 5/8	4 3/8	53/64	1 11/16	43/64	2 17/64	63/64	2.0315	0.7480	M16	5/8	50	SUC 210-30 SUC 210-31 SUC 210	FPL 210	0.51	

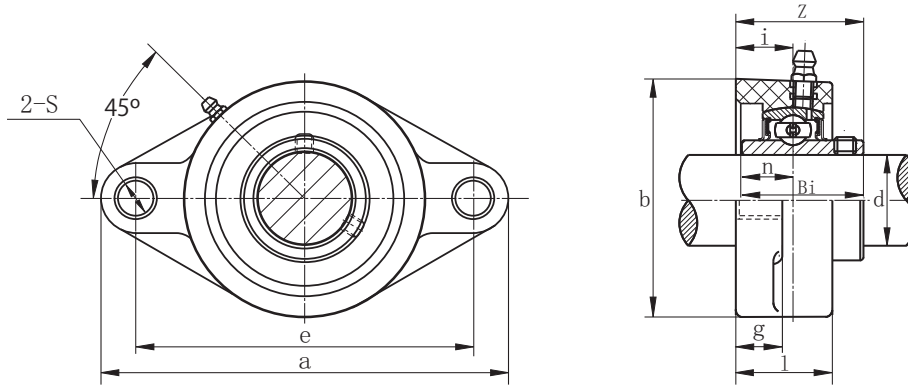


®

Thermoplastic Bearing Housing

UCNFL 200

- Material:PBT
- Solid base
- Stainless steel grease nipples as standard (suffix N)



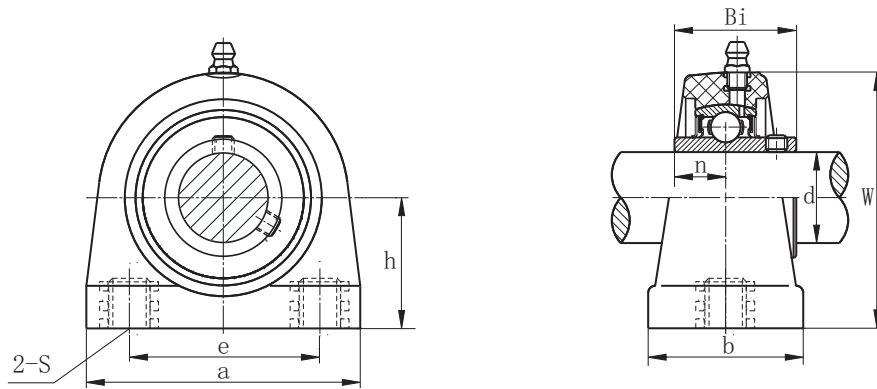
Bearing unit No.	Shaft Dia.		Dimensions(in.)or(mm)									Bolt used		Torque (N. m)	Bearing No.	Housing No.	Housing Weight (kg)	
	d		a	e	b	g	l	S	Z	i	Bi	n						
	(in.)	(mm)											(mm)					(in.)
UCNFL 201 201-8	1/2	12																
UCNFL 202-9 202	9/16	15	4 29/64	3 35/64	2 9/16	29/64	1 3/64	7/16	1 21/64	39/64	1.2205	0.5000	M10	3/8	18	SUC 201-8 SUC 202-9	NFL 203	0.08
UCNFL 202-10 203	5/8	17	113	90	65	11.4	26.5	11	33.7	15.4	31.0	12.7				SUC 202-10 SUC 203		
UCNFL 203-11	11/16															SUC 203-11		
UCNFL 204-12 204	3/4	20	4 29/64	3 35/64	2 9/16	29/64	1 3/64	7/16	1 21/64	39/64	1.2205	0.5000	M10	3/8	18	SUC 204-12 204	NFL 204	0.08
UCNFL 205-14 205-15 205	7/8	25	5 5/32	3 57/64	2 47/64	17/32	1 9/64	7/16	1 7/16	43/64	1.3386	0.5630	M10	3/8	25	SUC 205-14 205-15 205	NFL 205	0.10
UCNFL 205-16	1		131	99	69.5	13.5	29.1	11	36.7	17	34.0	14.3				SUC 205-16		
UCNFL 206-17 206-18 206	1 1/16	30	5 53/64	4 39/64	3 5/32	17/32	1 13/64	7/16	1 5/8	3/4	1.5000	0.6260	M10	3/8	30	SUC 206-17 206-18 206	NFL 206	0.13
UCNFL 206-19 206-20	1 3/16		148	117	80	13.3	30.5	11	41.2	19	38.1	15.9				SUC 206-19 206-20		
UCNFL 207-20 207-21 207-22 207	1 1/4	35	6 29/64	5 1/8	3 35/64	41/64	1 19/64	33/64	1 45/64	45/64	1.6890	0.6890	M12	7/16	35	SUC 207-20 207-21 207-22 207	NFL 207	0.16
UCNFL 207-23	1 7/16		164	130	90	16.1	32.8	13	43.4	18	42.9	17.5				SUC 207-23		
UCNFL 208-24 208-25 208	1 1/2	40	6 59/64	5 43/64	3 15/16	25/32	1 15/32	35/64	2 1/32	27/32	1.9370	0.7480	M12	7/16	40	SUC 208-24 208-25 208	NFL 208	0.24
UCNFL 209-26 209-27 209-28 209	1 5/8	45	7 13/32	5 53/64	4 1/4	53/64	1 39/64	43/64	2 9/64	15/16	1.9370	0.7480	M16	5/8	45	SUC 209-26 209-27 209-28 209	NFL 209	0.32
UCNFL 210-30 210-31 210	1 7/8	50	7 3/4	6 3/16	4 17/32	53/64	1 11/16	43/64	2 17/64	63/64	2.0315	0.7480	M16	5/8	50	SUC 210-30 210-31 210	NFL 210	0.42



- Material:PBT
- Solid base
- Stainless steel grease nipples as standard (suffix N)

Thermoplastic Bearing Housing

UCPL 200



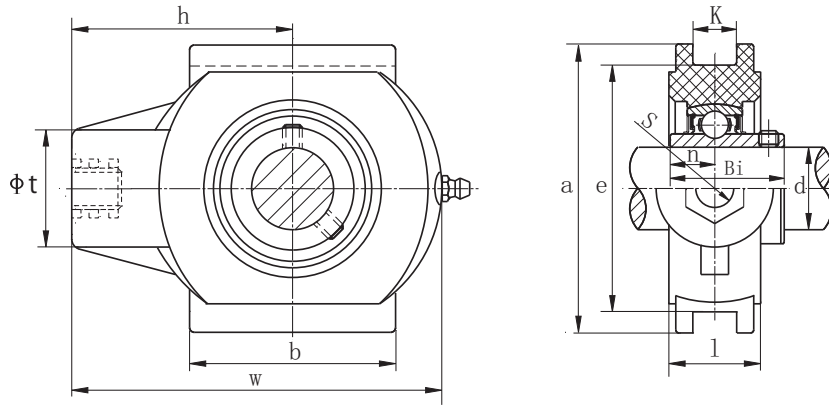
Bearing unit No.	Shaft Dia.		Dimensions(in.or(mm))								Bolt used (mm)	Torque (N. m)	Bearing No.	Housing No.	Housing Weight (kg)
	d		h	a	e	S	b	W	Bi	n					
	(in.)	(mm)													
UCPL 201 201-8	$\frac{1}{2}$	12											SUC 201 201-8		
UCPL 202-9 202	$\frac{9}{16}$	15	$1\frac{5}{16}$	$2\frac{55}{64}$	2	M8	$1\frac{23}{64}$	$2\frac{19}{32}$	1.2205	0.5000	M8	18	SUC 202-9 202	PL 203	0.13
UCPL 203 203-11	$\frac{5}{8}$	17	33.3	72.8	50.8		34.5	66	31.0	12.7			SUC 203 203-11		
UCPL 204-12 204	$\frac{3}{4}$	20	$1\frac{5}{16}$	$2\frac{55}{64}$	2	M8	$1\frac{23}{64}$	$2\frac{19}{32}$	1.2205	0.5000	M8	18	SUC 204-12 204	PL 204	0.13
UCPL 205-14 205-15 205	$\frac{7}{8}$	25	$1\frac{7}{16}$	3	2	M10	$1\frac{9}{16}$	$2\frac{57}{64}$	1.3386	0.5630	M10	25	SUC 205-14 205-15 205	PL 205	0.15
UCPL 205-16	1		36.5	76.2	50.8		39.5	73.5	34.0	14.3			SUC 205-16		
UCPL 206-17 206-18 206	$1\frac{1}{16}$	30	$1\frac{11}{16}$	$3\frac{31}{32}$	3	M10	$1\frac{43}{64}$	$3\frac{5}{16}$	1.5000	0.6260	M10	30	SUC 206-17 206-18 206	PL 206	0.24
UCPL 206-19 206-20	$1\frac{3}{16}$		42.9	101	76.2		42.5	84	38.1	15.9			SUC 206-19 206-20		
UCPL 207-20 207-21 207-22 207	$1\frac{1}{4}$	35	$1\frac{7}{8}$	$4\frac{21}{64}$	$3\frac{1}{4}$	M10	$1\frac{7}{8}$	$3\frac{47}{64}$	1.6890	0.6890	M10	35	SUC 207-20 207-21 207-22 207	PL 207	0.28
UCPL 207-23	$1\frac{7}{16}$		47.6	110	82.6		47.5	95	42.9	17.5			SUC 207-23		
UCPL 208-24 208-25 208	$1\frac{1}{2}$	40	$1\frac{15}{16}$	$4\frac{23}{32}$	$3\frac{1}{2}$	M12	$1\frac{57}{64}$	$3\frac{61}{64}$	1.9370	0.7480	M12	45	SUC 208-24 208-25 208	PL 208	0.39
UCPL 209-26 209-27 209-28 209	$1\frac{5}{8}$	45	$2\frac{1}{8}$	$4\frac{7}{8}$	$3\frac{3}{4}$	M12	$2\frac{1}{8}$	$4\frac{7}{32}$	1.9370	0.7480	M12	50	SUC 209-26 209-27 209-28 209	PL 209	0.47
UCPL 210-30 210-31 210	$1\frac{7}{8}$	50	$2\frac{1}{4}$	$5\frac{5}{16}$	4	M16	$2\frac{1}{8}$	$4\frac{17}{32}$	2.0315	0.7480	M16	55	SUC 210-30 210-31 210	PL 210	0.56



Thermoplastic Bearing Housing

UCTPL 200

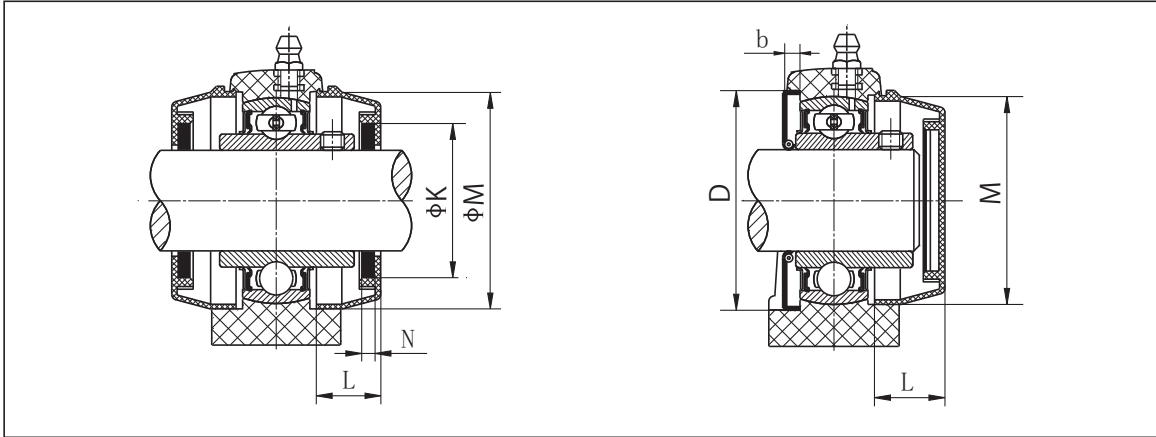
- Material:PBT
- Solid base
- Stainless steel grease nipples as standard (suffix N)



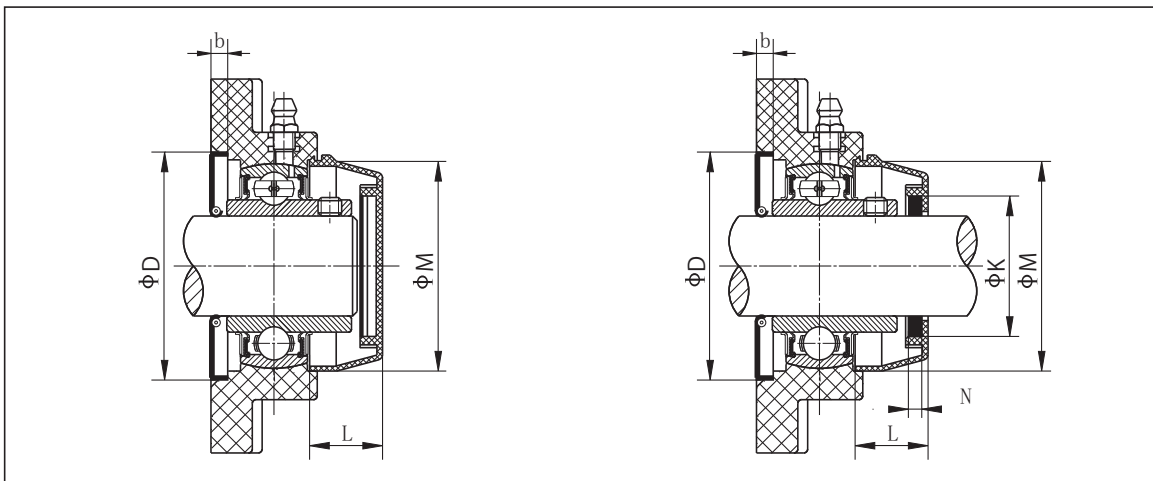
Bearing unit No.	Shaft Dia.		Dimensions(in.)or(mm)										Bearing No.	Housing No.	Housing Weight (kg)	
	d		w	l	K	h	e	S	t	a	b	Bi				n
	(in.)	(mm)														
UCTPL 201		12												SUC 201	TPL 203	0.16
201-8	1/2													SUC 201-8		
UCTPL 202-9	9/16	15	3 57/64	1 5/64	15/32	2 33/64	3	M16	1 27/64	3 15/32	1 27/32	1.2205	0.5000	SUC 202-9		
202			99	27.5	12	64	76		36	88	47	31.0	12.7	SUC 202		
202-10	5/8													SUC 202-10		
UCTPL 203		17												SUC 203		
203-11	1 1/16													SUC 203-11		
UCTPL 204-12	3/4	20	3 57/64	1 5/64	15/32	2 33/64	3	M16	1 27/64	3 15/32	1 27/32	1.2205	0.5000	SUC 204-12	TPL 204	0.16
204			99	27.5	12	64	76		36	88	47	31.0	12.7	SUC 204		
UCTPL 205-14	7/8													SUC 205-14	TPL 205	0.17
205-15	15/16	25	3 57/64	1 5/64	15/32	2 33/64	3	M16	1 27/64	3 15/32	1 27/32	1.3386	0.5630	SUC 205-15		
205			99	27.5	12	64	76		36	88	47	34.0	14.3	SUC 205		
205-16	1													SUC 205-16		
UCTPL 206-17	1 1/16													SUC 206-17	TPL 206	0.22
206-18	1 1/8	30	4 59/64	1 23/64	15/32	3	3 1/2	M16	1 37/64	4 1/64	2 31/64	1.5000	0.6260	SUC 206-18		
206			125	34.5	12	76	89		40	102	63	38.1	15.9	SUC 206		
206-19	1 3/16													SUC 206-19		
206-20	1 1/4													SUC 206-20		
UCTPL 207-20	1 1/4													SUC 207-20	TPL 207	0.26
207-21	1 5/16													SUC 207-21		
207-22	1 3/8	35	4 59/64	1 23/64	15/32	3	3 1/2	M16	1 37/64	4 1/64	2 31/64	1.6890	0.6890	SUC 207-22		
207			125	34.5	12	76	89		40	102	63	42.9	17.5	SUC 207		
207-23	1 7/16													SUC 207-23		
UCTPL 208-24	1 1/2													SUC 208-24	TPL 208	0.38
208-25	1 9/16	40	5 33/64	1 33/64	5/8	3 11/32	4 1/64	M16	1 13/16	4 31/64	3 5/32	1.9370	0.7480	SUC 208-25		
208			140	38.5	16	85	102		46	114	80	49.2	19.0	SUC 208		
UCTPL 209-26	1 5/8													SUC 209-26	TPL 209	0.48
209-27	1 11/16													SUC 209-27		
209-28	1 3/4	45	5 55/64	1 37/64	5/8	3 35/64	4 1/64	M20	1 31/32	4 39/64	3 11/32	1.9370	0.7480	SUC 209-28		
209			149	40	16	90	102		50	117	85	49.2	19.0	SUC 209		
UCTPL 210-30	1 7/8													SUC 210-30	TPL 210	0.52
210-31	1 15/16													SUC 210-31		
210		50	5 55/64	1 37/64	5/8	3 35/64	4 1/64	M20	1 31/32	4 39/64	3 11/32	2.0315	0.7480	SUC 210		

Types of Protection Available

Pillow Blocks



Flange Units



Plastic Covers (Open/Close)

Shaft Dia.		Dimensions(mm)					
mm	inch	K	N	L	M	D	b
12	1/2	32	7	23	50	52	6
15	9/16 5/8	32	7	23	50	52	6
17	11/16	32	7	23	50	52	6
20	3/4 13/16	32	7	23	50	52	6
25	13/16 7/8 15/16 1	37	7	25	55	62	6
30	1 1/16 1 1/8 1 3/16 1 1/4	42	7	30	64	72	6
35	1 1/4 1 5/16 1 3/8 1 7/16	47	7	32	74.5	82	6
40	1 1/2 1 9/16	52	7	37	84	88	6
45	1 5/8 1 11/16 1 3/4	57	7	41	89	93	6
50	1 13/16 1 7/8 1 15/16 2	62	7	47	94	98	6



Static Breaking Strength of Thermoplastic Housing

1. UCPLP

(N)

Mode of load	Type						
	204	205	206	207	208	209	210
	8800	13700	12650	12750	13100	13360	13850
	7700	10000	10600	10800	11100	11400	11750
	5000	8100	5750	7500	8500	8950	9550

(Notes) Data for reference only.

2. UCFPL

(N)

Mode of load	Type						
	204	205	206	207	208	209	210
	15950	13000	18000	18500	19100	19350	19650
	10250	12150	17700	18500	19250	19350	19620
	3650	3350	3350	3520	3790	3850	3990

(Notes) Data for reference only.