

UNIVERSAL-ROLLER TRACKS ^{DBGM}

universal for conveyor technique
and Live Storage Systems



wheels with special screws, hollow rivets or with screws M 8 in pitches of 50 mm, 75 mm, 100 mm. Several wheels can be fitted next to each other in one, two, three or more channels. The wheels can also be staggered and other different combinations are possible. Plastic wheels with or without flanges have a loading of 10 daN (kg). Steel rollers with or without flanges have a loading of 20 daN (kg). Track loading is shown in the Wy value of 2.2 cm³.

POSSIBILITIES OF APPLICATION

Universal Roller Tracks are used in all areas of material handling. Such as for:

- live storage tracks
- guide rails, diverters and conveyor elements
- connections between two work stations
- packaging machines
- guides for drive belts

Universal Roller Tracks consist of a cold-drawn profile, zinc-plated 2 mm gauge. The profile has 2 sets of lateral perforations at different heights at a pitch of 25 mm, the base is also punched with holes at a 25 mm pitch. The diameter of the hole is 8.1 mm. The construction of the track makes it possible to fit 48 mm diameter

ROLLER TRACKS

The standard length of the Universal Roller Tracks is 6167 mm. Each individual length can be supplied as desired. The profile is zinc-plated, Wy-value = 2.2 cm³. Normal wheels in standard design are installed, unless ordered otherwise. In the lower holes, however, flanged wheels are always installed in the top holes.

Profile without wheels: **U28**

The following wheels can be delivered:

With ball bearings:

Normal wheels: **NR10**
dia. 48 mm, plastic, loading 10 kg

Normal wheels: **NR20**
Steel, zinc-plated, loading 20 kg

Flanged wheels: **SR10**
Plastic, loading 10 kg

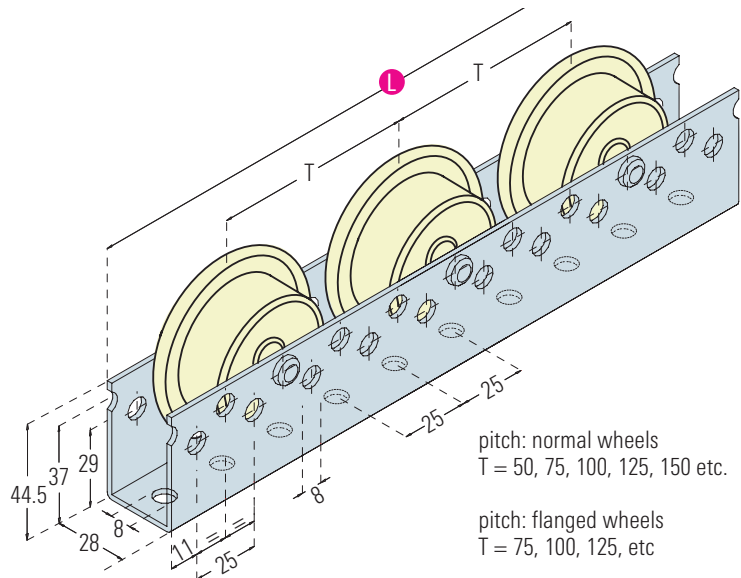
Flanged wheels: **SR21**
Steel, loading 20 kg

Shock absorber rings: **PUR**
All normal wheels can be covered with shock absorber rings made of soft rubber (PUR).

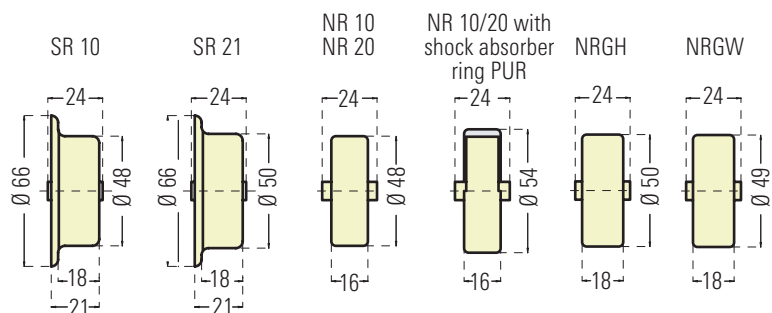
Flow wheels:
All flow wheels have a minimum loading of 10 kg. The wheel surface is slightly convex.

Normal wheels polypropylene: **NRGH**
Colour blue (hard plastic)

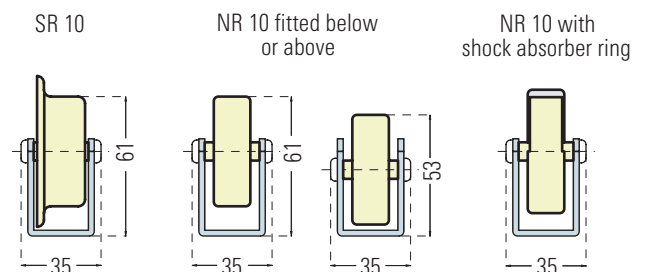
Normal wheels PUR: **NRGW**
Colour yellow (soft plastic)



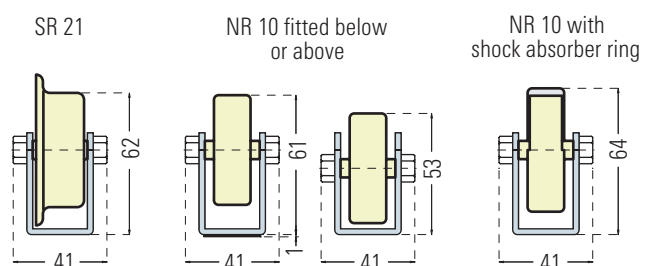
dimension wheels



main dimensions with plastic wheels



main dimensions with steel wheels



LAYOUT

Hollow rivets: **HN**
The wheels NR10, NR20, SR10 and SR21 are fitted with hollow rivets and covering caps (rounded). (Standard)

Special plastic screws: **VS 26**
The wheels can be fitted with special plastic screws, if required.

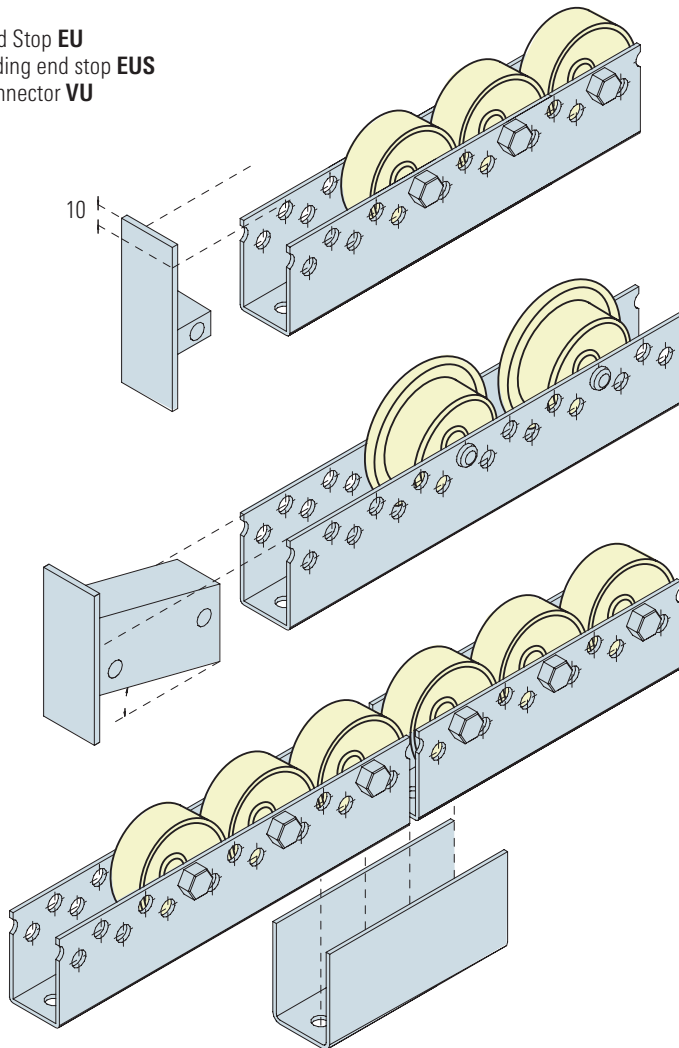
Steel screws: **M 8 x 35**
The wheels NRG are fitted with zinc-plated steel screws.

All wheels can be individually exchanged.

UNIVERSAL-ROLLER TRACKS ^{DBGM}

for storage, production
and packaging systems

end Stop **EU**
sliding end stop **EUS**
connector **VU**



ACCESSORIES

End stop: **EU**

Sliding end stop: **EUS**

Connector (incl. screws): **VU**

All wheels, screws etc. can be delivered individually.

Advice:

When ordering please indicate the required type of wheel, wheel pitch and exact length (length should be divisible by 25 mm).

Order example:

SR21 – 100/3000

Universal-Roller Track with flanged steel wheels, 100 mm pitch, 3000 mm total length

NR20 - 50/3775

Universal-Roller Track with steel wheels, 50 mm pitch, 3775 mm total length of the track

SR10 - 100/3000

Universal-Roller Track with plastic wheels with flanged wheels, 100 mm pitch, 3000 mm total length of the track

UNIVERSAL ROLLER TRACKS

LAYOUT

Roller Type	Pitch	Length L (max. 6000 mm)	Shock Absorber Ring PUR	Wheels fitted with Hollow Rivets	Wheels fitted with Special Plastic Screws	Wheels fitted with Steel Screws
NR 10	50, 75, 100, 125	/PUR	/HN	/VS 26	/M 8 x 35
NR 20	50, 75, 100, 125	/PUR	/HN	/VS 26	/M 8 x 35
SR 10	75, 100, 125, 150	-	/HN	/VS 26	/M 8 x 35
SR 21	75, 100, 125, 150	-	/HN	/VS 26	/M 8 x 35
NRGH	50, 75, 100, 125	-	/HN	/VS 26	/M 8 x 35
NRGW	75, 100, 125	-	/HN	/VS 26	/M 8 x 35

ACCESSORIES

End Stop	Sliding End Stop	Connector (incl. Screws)
EU	ESCHESF	VSF