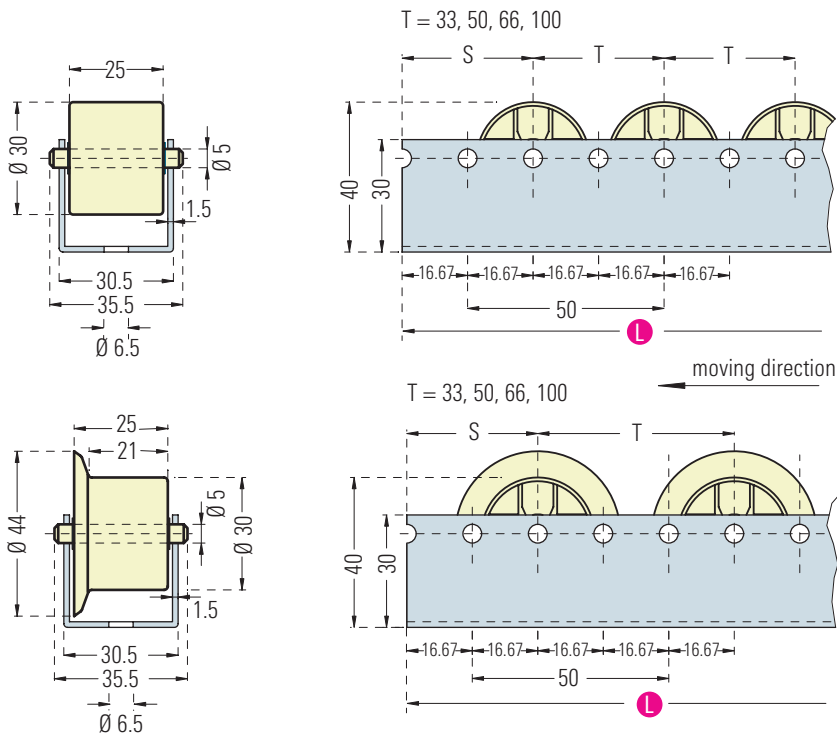
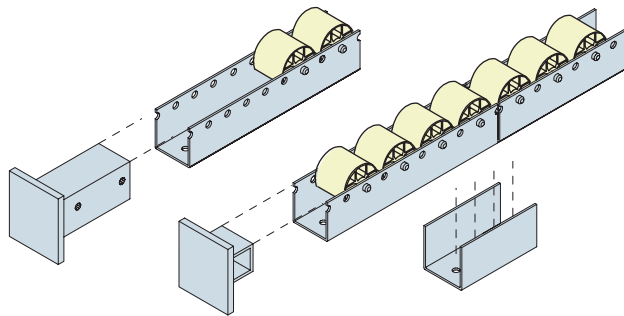


SUPERFIX-WHEEL RAILS

for the transportation of heavy goods
in rough working conditions



end stop **ESF**
sliding end stop **ESChESF**
connectors **VSF**



WHEEL RAILS

Superfix-Roller Rails are mainly used in live storage systems for the safe transportation of heavy transport containers and boxes. The wheels are made of a high quality thermo plastic, which is chemically resistant against acids and alkali and does not attract moisture. The wheels have a steel axis and a maximum load tolerance of 12 kg. They can be delivered as normal or flanged wheels. The profile of the wheel rails is made of cold profiled, zinc-plated steel 1.5 mm thick. All wheel rails can be delivered in any length as required by the customer (max. length 6500 mm), moment of resistance $W_y = 1.2 \text{ cm}^3$.

When ordering Superfix-Roller Rails:
Any length can be ordered. However, we recommend ordering length with a hole pitch of 16.67 mm (standard). For example: The last two figures of the ordered length should be 00, 16, 33, 50, 66 or 83. Special cuts when the position of the first wheel is defined, are, of course, possible. For the installation in live storage racking systems approximate lengths are necessary and should be stated at time of order.
Special cut: **SKSF**

Single wheels (incl. Steel axis)
Normal wheels: **SFN**
Flanged wheels: **SFSP**

ACCESSORIES

End stop: **ESF**
Sliding end stop: **ESChESF**
Connectors: **VSF** The connectors consist of a U-shaped profile, which are mounted with 4 screws underneath the wheel rail.

SUPERFIX-WHEEL RAILS

ACCESSORIES

Design/Type	Pitch	/Length (max. 6500 mm)	Special Cut /SKSF = S1	Single Wheels	End Stop	Sliding End Stop	Connectors
SFN	33	SFN	ESF	ESChESF	VSF
SFN	50	SFSB	ESF	ESChESF	VSF
SFN	66		ESF	ESChESF	VSF
SFN	100		ESF	ESChESF	VSF
SFSP	50		ESF	ESChESF	VSF
SFSP	66		ESF	ESChESF	VSF
SFSP	100		ESF	ESChESF	VSF

Order Example: **SFN - 50/4500/SKSF = 40**
Superfix-Wheel Rail, pitch 50 mm, rail length 4500 mm, defined beginning of rollers 40 mm