

# SCEENSTRIPS

## in order picking Live Storage Rack (European Patent)

### CLIP SCEENSTRIPS

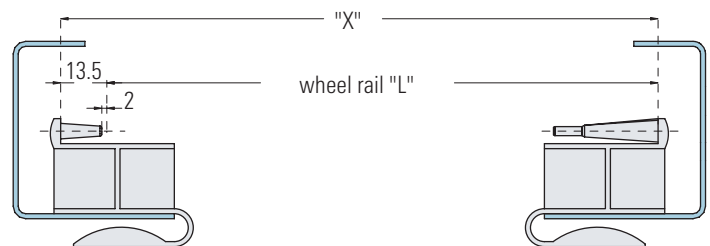
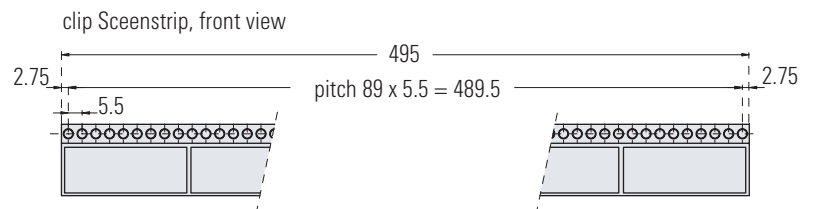
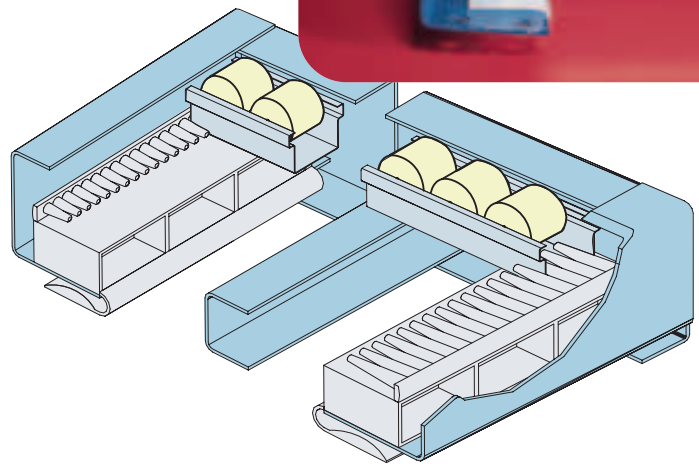
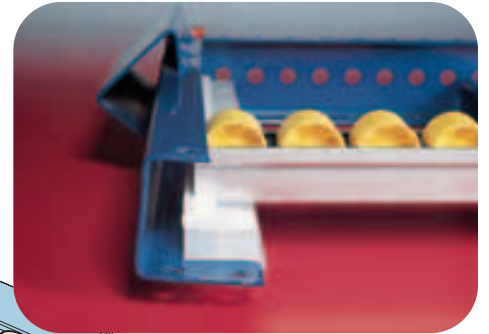
The Sceenstrips are clamped onto the lower side of the loading and unloading sides of the flow rack frame. The Sceenstrips allow for a lateral alteration of the wheel rail and the guide rail within a distance of 5.5 mm. Thus an optimum adjustment of the order picking live storage track to each container or box size is possible and it allows for a complete void-free carpet of wheels. The Sceenstrips in the loading side have 25 mm long bungs and in the unloading side they are 11 mm long.

Wheel rails can be extremely quickly installed with EUROROLL-Sceenstrips. First the wheel channels are pushed into the bungs of the loading side and are then put down on the Sceenstrips on the unloading side. Finally the wheel rails are pulled in between the bungs of the Sceenstrips on the unloading side. The special construction of the Sceenstrips in the loading side guarantees a tight fit of the wheel rails.

When using Sceenstrips the distances of the wheel rails can be adjusted at any time in little time.

Sceenstrips in design flat **BRF 1** and **BRF**

Sceenstrips in design high **BRL 1** and **BRL**



model flat  
**BRF 1**

**BRF**

model high  
**BRL 1**

**BRL**

