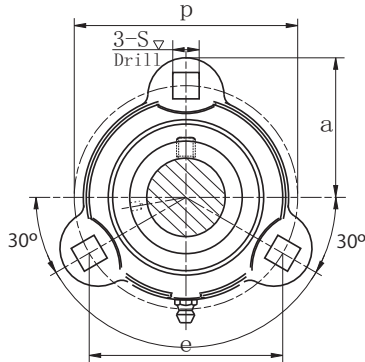
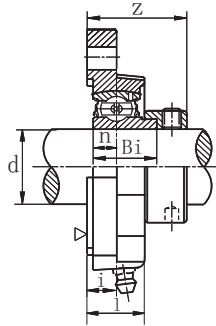




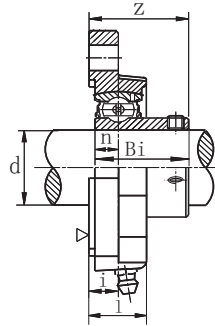
Ductile Iron
Flange Units (FCT Type)



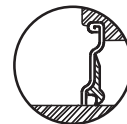
SAFCT200
Eccentric Locking Collar Type



SBFCT200
Setscrew Type



B type seal



A type seal

Bearing unit No.	Shaft Dia. d		Dimensions (in.) or (mm)									Bolt used		Bearing No.	Housing No.	Weight (kg)
	(in.)	(mm)	a	p	e	i	l	s	z	Bi	n	(mm)	(in.)			
SAFCT 201 201-8 202 202-10 203 203-11	1/2 5/8 11/16	12 15 17	1 19/32 40.5	2 1/2 63.5	2.165 54.99	27/64 10.7	3/4 19.1	9/32 7.1	1 5/16 33.3	0.7520 19.1	0.2362 6.0	M6	1/4	SA 201 201-8 202 202-10 203 203-11	FCT 203	0.26
SAFCT 204-12 204	3/4	20	1 25/32 45.2	2 13/16 71.4	2.434 61.83	7/16 11.1	25/32 19.8	11/32 8.7	1 3/8 35.1	0.8465 21.5	0.2756 7.0	M8	5/16	SA 204-12 204	FCT 204	0.34
SAFCT 205-14 205-15 205 205-16	7/8 15/16 1	25	1 7/8 47.6	3 76.2	2.598 65.99	13/32 10.3	5/16 20	32/64 9	1 21/64 33.8	0.8465 21.5	0.2953 7.5	M8	5/16	SA 205-14 205-15 205 205-16	FCT 205	0.39
SAFCT 206-18 206 206-19 206-20	1 1/8 3/16 1 1/4	30	2 7/32 56.3	3 9/16 90.5	3.085 78.38	31/64 12.1	7/8 22.2	13/32 10.3	1 9/16 39.8	0.9370 23.8	0.3150 8.0	M10	3/8	SA 206-18 206 206-19 206-20	FCT 206	0.61
SAFCT 207-20 207-21 207-22 207 207-23	1 1/4 1 5/16 1 3/8 1 7/16	35	2 13/32 61.0	3 15/16 100	3.410 86.60	33/64 13	15/16 24	13/32 10.3	1 45/64 43.4	1.0000 25.4	0.3346 8.5	M10	3/8	SA 207-20 207-21 207-22 207 207-23	FCT 207	0.82

Bearing unit No.	Shaft Dia. d		Dimensions (in.) or (mm)									Bolt used		Bearing No.	Housing No.	Weight (kg)
	(in.)	(mm)	a	p	e	i	l	s	z	Bi	n	(mm)	(in.)			
SBFCT 201 201-8 202 202-10 203 203-11	1/2 5/8 11/16	12 15 17	1 19/32 40.5	2 1/2 63.5	2.165 54.99	27/64 10.7	3/4 19.1	9/32 7.1	1 3/64 26.7	0.8661 22	0.2362 6.0	M6	1/4	SB 201 201-8 202 202-10 203 203-11	FCT 203	0.21
SBFCT 204-12 204	3/4	20	1 25/32 45.2	2 13/16 71.4	2.434 61.83	7/16 11.1	25/32 19.8	11/32 8.7	1 9/64 29.1	0.9843 25	0.2756 7.0	M8	5/16	SB 204-12 204	FCT 204	0.32
SBFCT 205-14 205-15 205 205-16	7/8 15/16 1	25	1 7/8 47.6	3 76.2	2.598 65.99	13/32 10.3	5/16 20	23/64 9	1 11/64 29.8	1.0630 27	0.2953 7.5	M8	5/16	SB 205-14 205-15 205 205-16	FCT 205	0.36
SBFCT 206-18 206 206-19 206-20	1 1/8 3/16 1 1/4	30	2 7/32 56.3	3 9/16 90.5	3.085 78.38	31/64 12.1	7/8 22.2	13/32 10.3	1 11/32 34.1	1.1811 30	0.3150 8.0	M10	3/8	SB 206-18 206 206-19 206-20	FCT 206	0.57
SBFCT 207-20 207-21 207-22 207 207-23	1 1/4 1 5/16 1 3/8 1 7/16	35	2 13/32 61.0	3 15/16 100	3.410 86.60	33/64 13	15/16 24	13/32 10.3	1 7/16 36.5	1.2598 32	0.3346 8.5	M10	3/8	SB 207-20 207-21 207-22 207 207-23	FCT 207	0.71