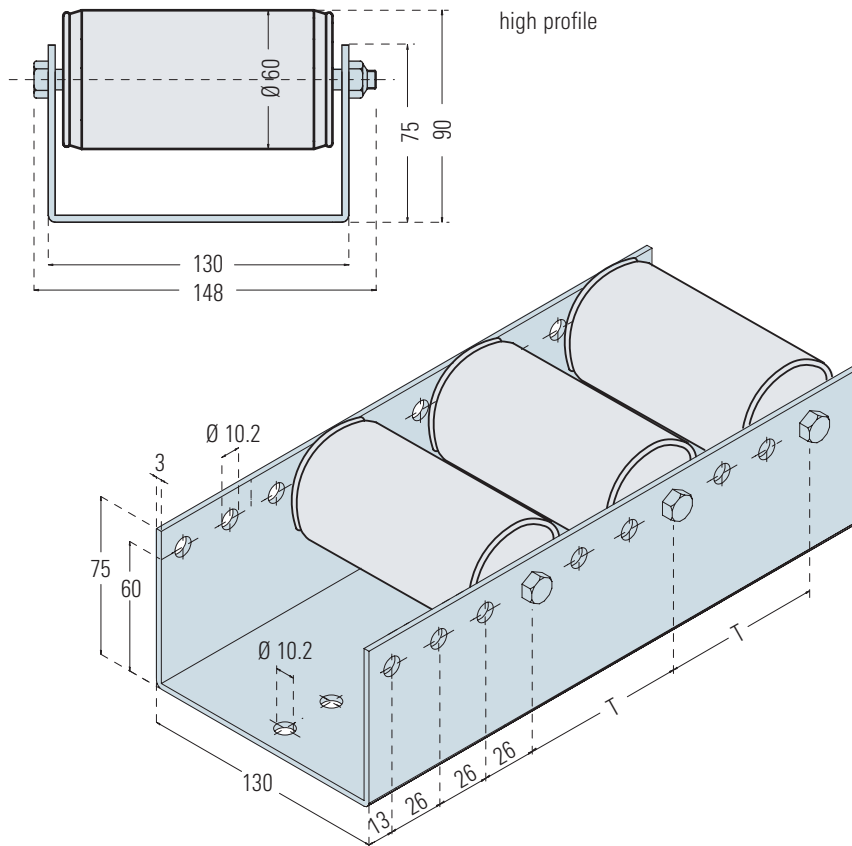


# GROOVY-PALLET ROLLER TRACKS

for live storage racking, transport and conveying



## ACCESSORIES

End stop: **GEE**

Sliding end stop: **GESCHE**

The Groovy-Pallet Roller Track is also in an inexpensive design available i.e. with steel wheels.

### Order Example:

**NR 2000 B/90 – 100 / 3333**

Wheel NR 2000 B, pitch 100 mm, length 4400 mm, profile high=90 mm

**NR 2000 B/80 – 166 / 4400**

Wheel Nr 2000 B, pitch 166 mm, length 4400 mm, profile high=80 mm

Single wheel: **NR 200 B**

Axis with lock nut

**M 10 x 140 + MU**

## GROOVY-PALLET ROLLER TRACKS

Zinc-plated Wheels Tracks 80 mm	Zinc-plated Wheels Tracks 90 mm	Wheel blank Tracks 80 mm	Wheel blank Tracks 90 mm	Pitch	/Length L (max. 6000)	Special Cut /SK = S1/S2
NR 2000/80	NR 2000/90	NR 2000 B/80	NR 2000 B/90	66	..... / .....	..... / .....
NR 2000/80	NR 2000/90	NR 2000 B/80	NR 2000 B/90	100	..... / .....	..... / .....
NR 2000/80	NR 2000/90	NR 2000 B/80	NR 2000 B/90	133	..... / .....	..... / .....
NR 2000/80	NR 2000/90	NR 2000 B/80	NR 2000 B/90	166	..... / .....	..... / .....
NR 2000/80	NR 2000/90	NR 2000 B/80	NR 2000 B/90	200	..... / .....	..... / .....

## LAYOUT

Single Wheel zinc-plated	Single Wheel blank	Axis with Lock Nut
NR 2000	NR 2000 B	M10 X 140+Mu
NR 2000	NR 2000 B	M10 X 140+Mu
NR 2000	NR 2000 B	M10 X 140+Mu
NR 2000	NR 2000 B	M10 X 140+Mu
NR 2000	NR 2000 B	M10 X 140+Mu

## ACCESSORIES

End Stop	Sliding End Stop
GEE	GESCHE
GEE90	GES90

## ROLLER TRACKS

Groovy-Pallet Roller Tracks are used where EURO-ROLL-Pallet Roller Tracks are too narrow due to their roller length of 74 mm and where a wider rolling surface is required. On 2 or 3 Groovy-Pallet Roller Tracks 800 mm wide as well as 1000 mm wide pallets can be conveyed. Otherwise the Groovy-Pallet Roller Tracks can be used in the same areas as the EUROROLL-Pallet Roller Tracks. The U-shaped track is zinc-plated. Carrying capacity: 160 kg/wheel, wheel support dia. 60 x 2 mm, zinc-plated.

Wy: 6.6 cm<sup>3</sup>

ly: 31.0 cm<sup>3</sup>

Standard Profile:

Track without wheels: **U 130 – 65**

High Profile:

Track without wheels: **U 130 – 75**

**Order example:**

**NR 2000/80 – 100 / 333**

Roller track 65 mm high, wheel NR 2000, pitch 100 mm, length 3333 mm

**NR 2000/90 – 166 / 4400**

Roller track 75 mm high, wheel NR 2000, pitch 166 mm, length 4000 mm



## LAYOUT

Single wheel: **NR 2000**

Axis with lock nut: **M 10 x 140 + Mu**

Order advice:

The standard length of the Groovy-Pallet Roller Track is maximum 6033 mm. Each individual length should be ordered in a way, that the last two figures of the ordered length are either 00, 33 or 66 (e.g. 4333 or 4300 or 4366 or 4400 mm). Other lengths have to be especially cut.

Special cut: **/SK = S1/S2**

