

EUROROLL® PALLET ROLLER TRACKS

for pallets being conveyed lengthwise and crosswise



Pallets can either be conveyed across to or along the battens with EUROROLL-Pallet Roller Tracks. The rollers must have a 52 mm pitch, when the pallets are conveyed crosswise. Dependent on the weight of the pallet two or three tracks with a roller pitch of 104-208 mm are used when the pallet is conveyed lengthwise. The EUROROLL-Pallet Roller Track is the most efficient solution for pallet cross conveying. They are mainly used for Live Storage Systems and Flow Stores. With reference to the pallet transportation lengthwise EUROROLL can recommend roller channels for short heavy duty conveyors. It is more efficient to equip longer Gavity Conveyors with full width rollers.

The advantage of the EUROROLL-Pallet Roller Tracks is the solid construction. The supporting profile is made of 3 mm thick zinc-plated steel of high capacity and torque. The roller is made of zinc-plated steel and has a carrying capacity of 150 kg. The ball bearings are of long-life and are maintenance-free. EUROROLL-Pallet Roller Tracks are often fitted in existing pallet racking in order to separate loading and picking faces; this reduces costs and prevents accidents. In conveying technique the EUROROLL-Pallet Roller Track serves as guide rail or as connection of different working stations in production lines with each other.

ROLLER TRACKS

The roller track consists of a zinc-plated U-shaped profile, 55 mm high and 80 mm wide. These profiles are equipped with rollers dia. 50 mm or with rollers dia. 48 mm in 52, 78, 104, 130, 156 mm etc. pitches.

Two further sets of holes in the base serve for fastening the track to supporting structures.

Wy: 4.6 cm³
 ly: 17 cm³
 Standard length: 6006 mm

Normal design:
 Track without rollers: **U 80 – 55**

High design:
 Track without rollers: **U 80 – 78**

LAYOUT

The EUROROLL-Pallet Roller Track can be equipped with different kind of rollers.

3 normal rollers made of plastic
 (30 kg carrying capacity): **NR 30**

3 normal rollers made of steel
 (60 kg carrying capacity): **NR 60**

Steel roller with 150 kg carrying capacity : **NR 100**

Steel roller with flanged wheels: **SR 100**

Axis with lock nut: **M 8 X 90 A**
 To fix the rollers.

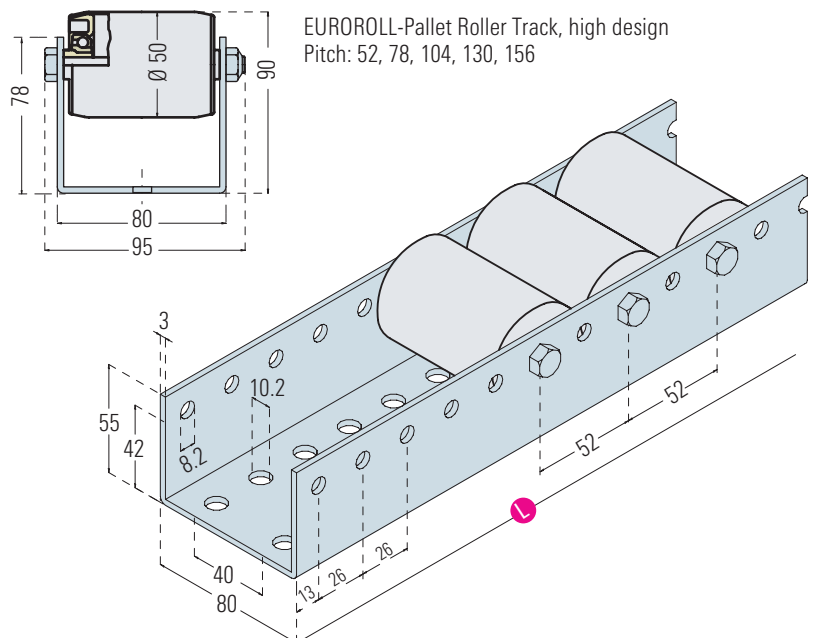
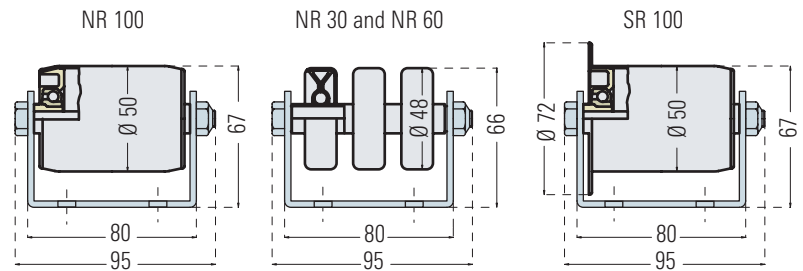
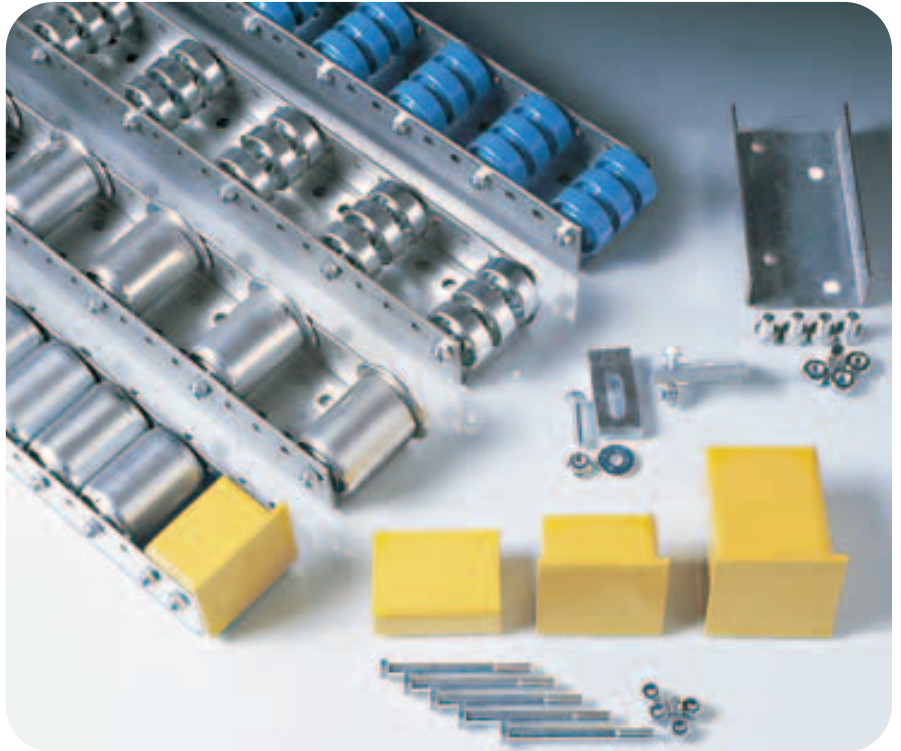
Order example: NR 100 - 156 / 2600

Roller track 78 mm high with dia. 50 mm steel rollers, pitch 156 mm, length: 2600 mm

NR 60 - 52 / 5980

Roller track 55 mm high with 3 each, dia. 48 mm rollers on one axis, pitch: 52 mm; length: 5980 mm

The track can be equipped with flanged wheels e.g. that each 5th roller is a flanged wheel.

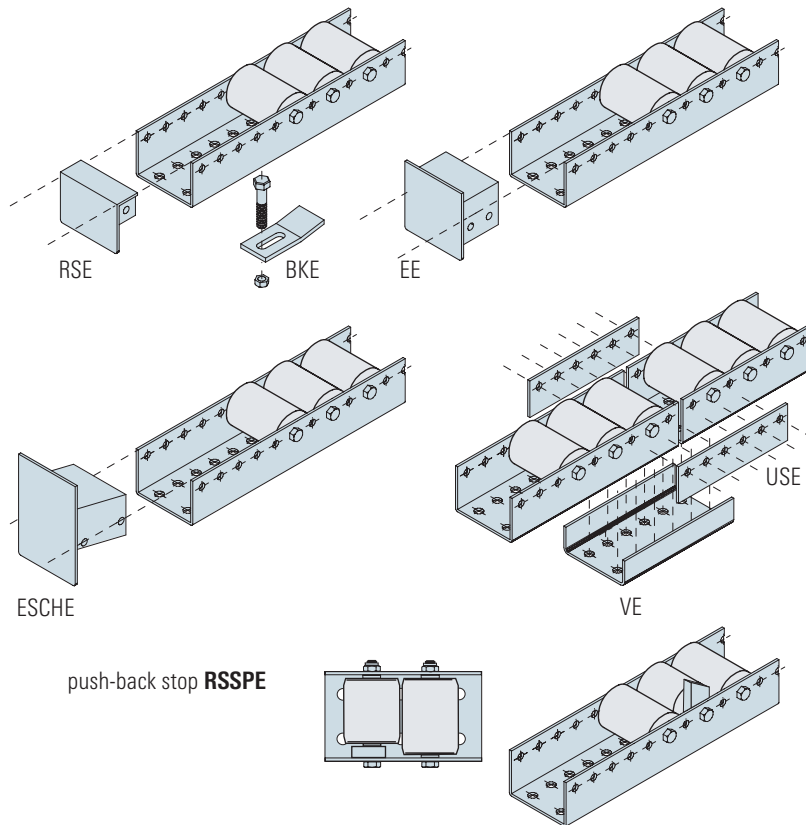


EUROROLL- PALLET ROLLER TRACK

for live storage systems, transportation and conveying

roller guard **RSE**
fitting clamp with screw **BKE**
end stop **EE**

sliding end stop **ESchE**
connector as U-shaped profile **VE**
lateral plate connectors **USE**



ACCESSORIES

End Stop: **EE**

Sliding end stop: **ESChE**

Roller guard: **RSE**

Connector U-shaped profile 55 mm: **VE**

Connector U-shaped profile 78 mm: **VEH**

Lateral plate connectors (2 pieces): **USE**

Fitting clamp with screw: **BKE**

Fitting clamp for hollow profile: **BKEH**

Push-back stop: **RSSPE**

Dowel fitting construction without dowels for approximately 2500 mm long tracks with 2.25 % declination, floor fitting

Dowel fitting construction 2500 mm: **PDUBE1**

Dowel fitting construction without dowel for approximately 3700 mm long tracks: **PDUBE2**

Dowel MAS 12/25: **DUB**

EUROROLL-PALLET ROLLER TRACKS

Roller Type with Track 55 mm	Roller Type Track 78 mm	Pitch	Length L (max. 6006)
NR 30/55	NR 30/78	52, 78, 104, 130, 156
NR 60/55	NR 60/78	52, 78, 104, 130, 156
NR 100/55	NR 100/78	52, 78, 104, 130, 156
SR 100/55	NR 100/78	52, 78, 104, 130, 156

LAYOUT

Track 55 mm without Rollers	Track 78 mm without Rollers	3 Single Rollers Plastic Ø 48	3 Single Rollers Steel Ø 48	1 Single Rollers Steel Ø 50	1 Single Rollers, Steel Flanged Wheel Ø 50	Axis with Lock Nut
U80-55	U80-78	NR 30	-	-	-	M8 X 90A
U80-55	U80-78	-	NR 60	-	-	M8 X 90A
U80-55	U80-78	-	-	NR 100	-	M8 X 90A
U80-55	U80-78	-	-	-	SR 100	M8 X 90A

ACCESSORIES PALLET ROLLER TRACKS

End Stop	Sliding End Stop	Roller Guard	Connector U-shaped Profile	Lateral Plate Connector	Fitting Clamp with Screw	Fitting Clamp for Hollow Profile	Dowel Fitting Set 2500 mm	Dowel Fitting Set 3700 mm	Dowel MAS 12/25
EE	ESChE	RSE	VE	USE	BKE	BKEH	PDUBE1	PDUBE2	DUB