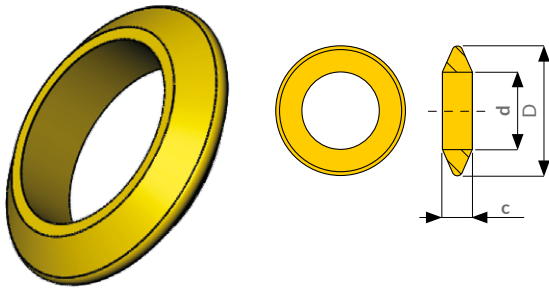


POLYURETHANE L-PUR RINGS

L-PUR RING „TYPE A”



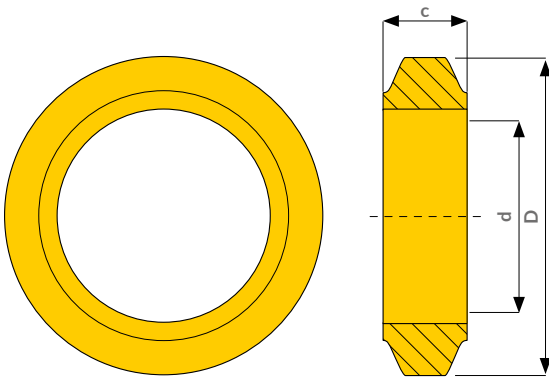
DIMENSIONS in mm	D	d	c
PA 01	Ø 108 (106)	Ø 63 (60)	25
PA 02	Ø 133 (130)	Ø 63 (60)	30
PA 03	Ø 133 (130)	Ø 89 (85)	30
PA 04	Ø 159 (156)	Ø 89 (85)	25
PA 05	Ø 159 (156)	Ø 108 (104)	35
PA 06	Ø 194 (191)	Ø 108 (104)	35

L-PUR RING „TYPE B”



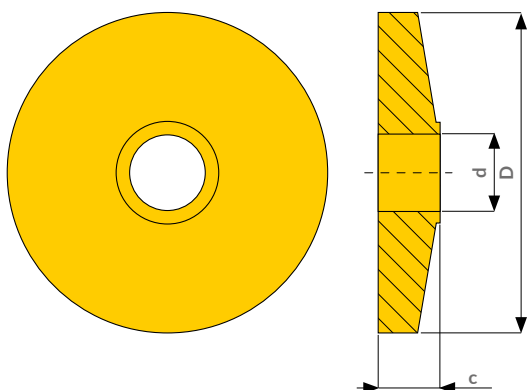
DIMENSIONS in mm	D	d	c
PB 01	Ø 108 (106)	Ø 63 (60)	40
PB 02	Ø 120 (118)	Ø 63 (60)	40
PB 03	Ø 133 (130)	Ø 89 (85)	40
PB 04	Ø 159 (156)	Ø 89 (85)	40

CONVEYING L-PUR RING „TYPE C”



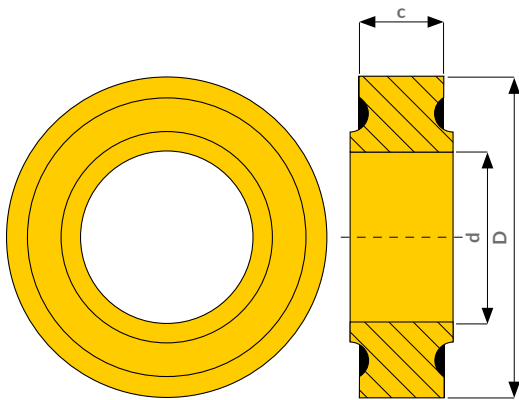
DIMENSIONS in mm	D	d	c
PC 01	Ø 194 (190)	Ø 133 (128)	50
PC 02	Ø 188 (184)	Ø 108 (104)	25

BELT LEADING L-PUR RING



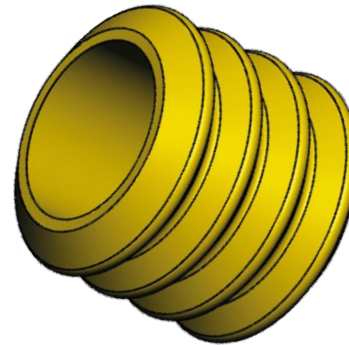
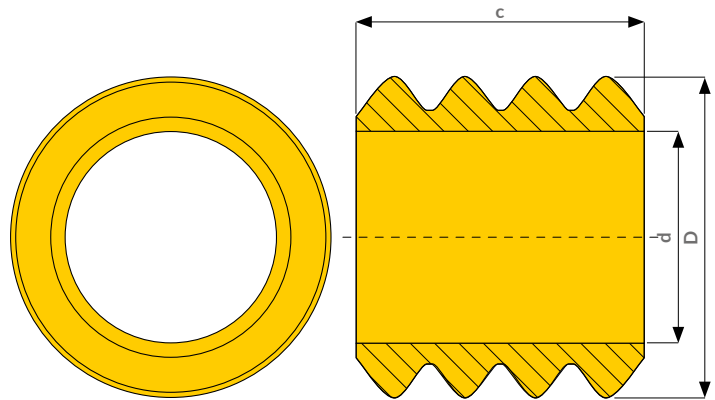
DIMENSIONS in mm	D	d	c
T 01	Ø 183 (180)	Ø 63 (61)	32
T 02	Ø 245 (240)	Ø 63 (60)	35
T 03	Ø 275 (270)	Ø 89 (85)	35

SUPPORTING L-PUR RING



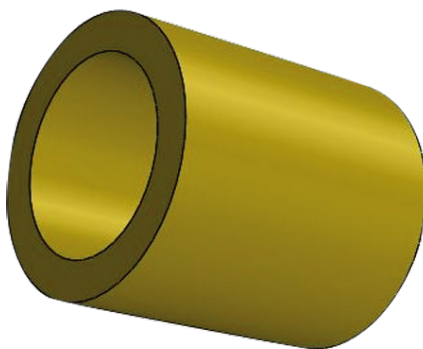
DIMENSIONS in mm	D	d	c
PA 01	Ø 212 (209)	Ø 133 (130)	50

QUADRUPLE L-PUR RING



DIMENSIONS in mm	D	d	c
PP 01	Ø 108 (106)	Ø 63 (60)	100

POLYURETHANE L-PUR SLEEVES FOR ROLLERS



DIMENSIONS in mm	D	d	c
TK 01	Ø 85	Ø 61	93
TK 02	Ø 85	Ø 61	120
TK 03	Ø 106	Ø 85	93
TK 04	Ø 106	Ø 85	120

Diameters for rings on the roller, in the brackets there are dimensions of ring before assembly.
All products are available in other sizes on demand.